



# Regency Horizon™ HZ42STE Gas Fireplace

Owners &  
Installation Manual

MODELS: HZ42STE-NG10 Natural Gas  
HZ42STE-LP10 Propane



## **⚠ WARNING**

### **FIRE OR EXPLOSION HAZARD**

Failure to follow safety warnings exactly could result in serious injury, death, or property damage.

- Do not store or use gasoline or other flammable vapors and liquids in the vicinity of this or any other appliance.

#### **- WHAT TO DO IF YOU SMELL GAS**

- Do not try to light any appliance.
- Do not touch any electrical switch: do not use any phone in your building. Leave the building immediately.
- Immediately call your gas supplier from a neighbour's phone. Follow the gas supplier's instructions.
- If you cannot reach your gas supplier, call the fire department.

- Installation and service must be performed by a qualified installer, service agency or the gas supplier.

Tested by:



**Installer:** Please complete the details on the back cover and leave this manual with the homeowner.  
**Homeowner:** Please keep these instructions for future reference.

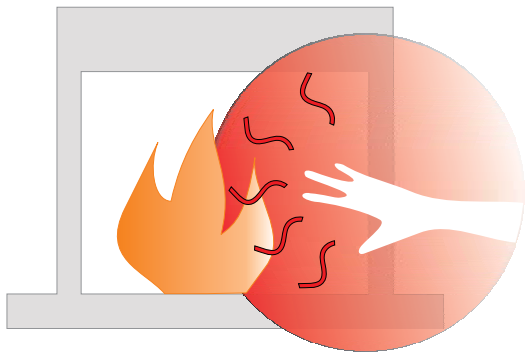
To the New Owner:

Congratulations!

You are the owner of a state-of-the-art Gas Fireplace by REGENCY®. The HZ42STE has been designed to provide you with all the warmth and charm of a fireplace at the flick of a switch. The model HZ42STE has been approved by Warnock Hersey/Intertek for both safety and efficiency. As it also bears our own mark, it promises to provide you with economy, comfort and security for many trouble free years to follow. Please take a moment now to acquaint yourself with these instructions and the many features of your Regency® Fireplace.



# DANGER



**HOT GLASS WILL  
CAUSE BURNS**

**DO NOT TOUCH GLASS  
UNTIL COOLED**

**NEVER ALLOW CHILDREN  
TO TOUCH GLASS**

A barrier designed to reduce the risk of burns from the hot viewing glass is provided with this appliance and shall be installed for the protection of children and other at risk individuals.

## CAUTION:

**HOT WHILE IN OPERATION. DO NOT TOUCH.  
SEVERE BURNS MAY RESULT. KEEP CHILDREN, CLOTHING, FURNITURE,  
GASOLINE, AND ANY LIQUIDS WITH FLAMMABLE VAPOURS AWAY.**

**KEEP BURNER AND CONTROL COMPARTMENT CLEAN.  
SEE INSTALLATION AND OPERATING INSTRUCTIONS ACCOMPANYING  
APPLIANCE.**

919-358



We recommend that our products be installed and serviced by professionals who are certified in the U.S. by the National Fireplace Institute® (NFI) or in Canada by Wood Energy Technical Training (WETT).



## **MANUFACTURED MOBILE HOME REQUIREMENTS**

### **INFORMATION FOR MOBILE/MANUFACTURED HOMES AFTER FIRST SALE**

This Regency® product has been tested and listed by Warnock Hersey/Intertek as a Direct Vent Wall Furnace to the following standards: VENTED GAS FIREPLACE HEATERS ANSI Z21.88 - 2014 / CSA 2.33 - 2014 and GAS-FIRED APPLIANCES FOR USE AT HIGH ALTITUDES CAN / CGA 2.17-M91.

This Direct Vent System Appliance must be installed in accordance with the manufacturer's installation instructions and the Manufactured Home Construction and Safety Standard, Title 24 CFR, Part 3280, or the current Standard of Fire Safety Criteria for Manufactured Home Installations, Sites, and Communities ANSI/NFPA 501A, and with CAN/CSA Z240-MH Mobile Home Standard in Canada.

This appliance installation must comply with the manufacturer's installation instructions and local codes, if any. In the absence of local codes follow the current National Fuel Gas Code, ANSI Z223.1 and the current National Electrical Code ANSI/NFPA 70 in the U.S.A., and the current CAN/CGA B149 Gas Installation Code and the current Canadian Electrical Code CSA C22.1 in Canada.

This appliance comes equipped with a dedicated #8 Ground Lug for attachment of the ground wire to the steel chassis as applicable to local codes.

The appliance, when installed, must be electrically grounded in accordance with local codes or, in the absence of local codes, with the National Electrical Code, ANSI/NFPA 70, or the Canadian Electrical Code, CSA C22.1.

This appliance may only be installed in an aftermarket permanently located, manufactured (U.S.A only) or mobile home, where not prohibited by local codes.

This appliance can only be used with the type of gas indicated on the rating plate. This appliance is not convertible for use with other gases.



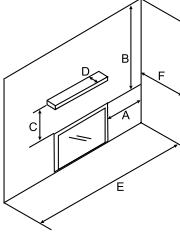
Ensure that structural members are not cut or weakened during installation.

## 4 | table of contents

MA Code - CO Detector.....	6	Rigid Pipe 4" x 6-5/8".....	32
(for the State of Massachusetts only).....	6	Unit Installation with Horizontal Termination .....	34
Unit Dimensions .....	7	4" x 6-5/8 venting.....	34
Important Message .....	8	Unit Installation with Horizontal Termination .....	35
Before You Start .....	8	Unit installation with Vertical Termination .....	36
General Safety Information.....	8	4" x 6-5/8" venting .....	36
Installation Checklist.....	9	High Elevation .....	37
Locating Your Gas Fireplace .....	9	Gas Line Installation .....	37
Clearances .....	10	Pilot Adjustment.....	37
Framing dimensions .....	11	Gas Pipe Pressure Testing.....	37
Non-combustible facing installation .....	12	885 S.I.T. Valve Description.....	37
Non-Combustible Requirements .....	13	Aeration Adjustment .....	37
Horizontal venting.....	13	Wiring Diagram .....	38
Vertical venting .....	13	AC power Adaptor Installation (for surefire systems) ..	39
Mantel Clearances.....	14	Optional Wall Thermostat Installation .....	39
Mantel Leg Clearances.....	14	Optional Reflective Panel Installation .....	40
Framing & Finishing.....	15	Glass Crystals or optional stones Installation.....	41
Unit Assembly Prior To Installation .....	16	Optional Pebbles / glass crystal Installation	
Standoff Assembly.....	16	for Firebox Base (around burner) .....	41
Installation Access panel .....	16	Optional log set installation.....	42
Nailing Strips .....	16	Glass door Installation.....	44
Optional Framing kit .....	17	Safety screen/ inner door frame removal/installation ..	45
Horizontal vent Deflector installation .....	19	Outer door frame installation .....	46
Wall mount On / Off Switch installation.....	20	Faceplate Installation.....	47
Vent Restrictor Position .....	21	Operating Instructions .....	48
Exterior Vent Termination Requirements .....	22	First Fire .....	48
4" x 6-5/8" Rigid Pipe Cross Reference Chart.....	23	Normal Operating Sounds of Gas Appliances .....	48
Venting Introduction.....	25	Lighting Procedure .....	49
Venting Arrangements .....	25	Shutdown Procedure.....	49
Allowable Horizontal Terminations for HZ42 ST .....	25	Copy of Lighting Plate Instructions.....	50
Horizontal Terminations .....	26	Maintenance Instructions.....	51
Flex Vent 4" x 6-5/8" .....	26	General Vent Maintenance .....	51
Rigid/flex Pipe Venting Systems.....	27	Glass Gasket.....	51
Horizontal or Vertical Terminations .....	27	Glass Door.....	51
Horizontal Terminations .....	28	Glass Replacement .....	51
Rigid Pipe 4" x 6-5/8".....	28	Valve Tray Replacement.....	52
Vertical terminations .....	31	Main Assembly .....	54
Rigid Pipe 4" x 6-5/8".....	31	Accessories .....	55
Vertical Terminations .....	32	The Warranty: Limited Lifetime .....	59

This is a copy of the label that accompanies each HZ42STE-NG10 and HZ42STE-LP10 Direct Vent Gas Fireplace. We have printed a copy of the contents here for your review.

**NOTE:** Regency® units are constantly being improved. Check the label on the unit and if there is a difference, the label on the unit is the correct one.

<b>Duplicate S/N</b>		<b>375</b>																																													
<p><b>Listed:</b> VENTED GAS FIREPLACE HEATER / FOYER AU GAZ À ÉVACUATION <b>DO NOT REMOVE THIS LABEL / NE PAS ENLEVER CETTE ÉTIQUETTE</b>  <b>Certified for/Certifiée pour:</b> CANADA and U.S.A.  <b>Tested to:</b> CAN/CGA-2.17-M91(R2009)  <b>Conforms to:</b> ANSI Z21.88-2014  <b>Certified to:</b> CSA 2.33-2014</p>																																															
																																															
<p><b>4001172</b> MAY BE INSTALLED IN MANUFACTURED (MOBILE) HOMES AFTER FIRST SALE.</p>		<p>Serial No./ No de serie <b>375</b></p>																																													
<p><b>NATURAL GAS: Model HZ42STE-NG10</b></p> <table border="0" style="width:100%;"> <tr> <td style="width:33%;">Minimum supply pressure</td> <td style="width:33%;">5.0" WC/C.E. (1.25 kPa)</td> <td style="width:33%;">Pression d'alimentation minimum</td> </tr> <tr> <td>Manifold pressure high</td> <td>3.5" WC/C.E. (0.87 kPa)</td> <td>Pression à la tubulure d'échappement élevée</td> </tr> <tr> <td>Manifold pressure low</td> <td>1.6" WC/C.E. (0.40 kPa)</td> <td>Pression à la tubulure d'échappement basse</td> </tr> <tr> <td>Orifice size</td> <td># 40 DMS</td> <td>Grandeur de l'injecteur</td> </tr> <tr> <td>Minimum input</td> <td>17,500 Btu/h (5.13 kW)</td> <td>Débit Calorifique minimum selon</td> </tr> <tr> <td>Maximum input</td> <td>26,000 Btu/h (7.62 kW)</td> <td>Débit Calorifique maximum selon</td> </tr> <tr> <td>Altitude</td> <td>0-4500 ft/pi (0-1372 m)</td> <td>l'altitude</td> </tr> </table>		Minimum supply pressure	5.0" WC/C.E. (1.25 kPa)	Pression d'alimentation minimum	Manifold pressure high	3.5" WC/C.E. (0.87 kPa)	Pression à la tubulure d'échappement élevée	Manifold pressure low	1.6" WC/C.E. (0.40 kPa)	Pression à la tubulure d'échappement basse	Orifice size	# 40 DMS	Grandeur de l'injecteur	Minimum input	17,500 Btu/h (5.13 kW)	Débit Calorifique minimum selon	Maximum input	26,000 Btu/h (7.62 kW)	Débit Calorifique maximum selon	Altitude	0-4500 ft/pi (0-1372 m)	l'altitude	<p style="text-align: center;"><b>Minimum Clearances to Combustibles / Degagement Minimum De Materiaux Combustibles</b></p>  <table border="0" style="width:100%;"> <tr> <td><b>Side Walls</b></td> <td></td> </tr> <tr> <td>A</td> <td>7" (178mm)</td> </tr> <tr> <td><b>Ceiling</b></td> <td></td> </tr> <tr> <td>B</td> <td>22" (559mm)</td> </tr> <tr> <td><b>Min. Mantel Height</b></td> <td></td> </tr> <tr> <td>C</td> <td>17" (432mm)</td> </tr> <tr> <td><b>Max. Mantel Depth</b></td> <td></td> </tr> <tr> <td>D</td> <td>12" (305mm)</td> </tr> <tr> <td><b>Alcove Width</b></td> <td></td> </tr> <tr> <td>E</td> <td>84" (2133mm)</td> </tr> <tr> <td><b>Alcove Depth</b></td> <td></td> </tr> <tr> <td>F</td> <td>36" (914mm)</td> </tr> </table> <p style="text-align: center;"><b>DOOR SEAL: Please check that the door is properly sealed</b></p> <p style="text-align: center;">(See Instruction Manual for detailed instructions)</p> <p style="font-size: small;">ELECTRICAL SUPPLY/ALIMENTATION ELECTRIQUE 115V_60HZ less than/moins de 2 AMP NOT FOR USE WITH SOLID FUELS./ NE PAS UTILISER AVEC DU COMBUSTIBLE SOLID</p>	<b>Side Walls</b>		A	7" (178mm)	<b>Ceiling</b>		B	22" (559mm)	<b>Min. Mantel Height</b>		C	17" (432mm)	<b>Max. Mantel Depth</b>		D	12" (305mm)	<b>Alcove Width</b>		E	84" (2133mm)	<b>Alcove Depth</b>		F	36" (914mm)
Minimum supply pressure	5.0" WC/C.E. (1.25 kPa)	Pression d'alimentation minimum																																													
Manifold pressure high	3.5" WC/C.E. (0.87 kPa)	Pression à la tubulure d'échappement élevée																																													
Manifold pressure low	1.6" WC/C.E. (0.40 kPa)	Pression à la tubulure d'échappement basse																																													
Orifice size	# 40 DMS	Grandeur de l'injecteur																																													
Minimum input	17,500 Btu/h (5.13 kW)	Débit Calorifique minimum selon																																													
Maximum input	26,000 Btu/h (7.62 kW)	Débit Calorifique maximum selon																																													
Altitude	0-4500 ft/pi (0-1372 m)	l'altitude																																													
<b>Side Walls</b>																																															
A	7" (178mm)																																														
<b>Ceiling</b>																																															
B	22" (559mm)																																														
<b>Min. Mantel Height</b>																																															
C	17" (432mm)																																														
<b>Max. Mantel Depth</b>																																															
D	12" (305mm)																																														
<b>Alcove Width</b>																																															
E	84" (2133mm)																																														
<b>Alcove Depth</b>																																															
F	36" (914mm)																																														
<p><b>PROPANE GAS: Model HZ42STE-LP10</b></p> <table border="0" style="width:100%;"> <tr> <td style="width:33%;">Minimum supply pressure</td> <td style="width:33%;">12" WC/C.E. (2.98 kPa)</td> <td style="width:33%;">Pression d'alimentation minimum</td> </tr> <tr> <td>Manifold pressure high</td> <td>10" WC/C.E. (2.49 kPa)</td> <td>Pression à la tubulure d'échappement élevée</td> </tr> <tr> <td>Manifold pressure low</td> <td>6.4" WC/C.E. (1.60 kPa)</td> <td>Pression à la tubulure d'échappement basse</td> </tr> <tr> <td>Orifice size</td> <td># 53 DMS</td> <td>Grandeur de l'injecteur</td> </tr> <tr> <td>Minimum input</td> <td>19,500 Btu/h (5.71 kW)</td> <td>Débit Calorifique minimum selon</td> </tr> <tr> <td>Maximum input</td> <td>24,500 Btu/h (7.18 kW)</td> <td>Débit Calorifique maximum selon</td> </tr> <tr> <td>Altitude</td> <td>0-4500 ft/pi (0-1372 m)</td> <td>l'altitude</td> </tr> </table>		Minimum supply pressure	12" WC/C.E. (2.98 kPa)	Pression d'alimentation minimum	Manifold pressure high	10" WC/C.E. (2.49 kPa)	Pression à la tubulure d'échappement élevée	Manifold pressure low	6.4" WC/C.E. (1.60 kPa)	Pression à la tubulure d'échappement basse	Orifice size	# 53 DMS	Grandeur de l'injecteur	Minimum input	19,500 Btu/h (5.71 kW)	Débit Calorifique minimum selon	Maximum input	24,500 Btu/h (7.18 kW)	Débit Calorifique maximum selon	Altitude	0-4500 ft/pi (0-1372 m)	l'altitude																									
Minimum supply pressure	12" WC/C.E. (2.98 kPa)	Pression d'alimentation minimum																																													
Manifold pressure high	10" WC/C.E. (2.49 kPa)	Pression à la tubulure d'échappement élevée																																													
Manifold pressure low	6.4" WC/C.E. (1.60 kPa)	Pression à la tubulure d'échappement basse																																													
Orifice size	# 53 DMS	Grandeur de l'injecteur																																													
Minimum input	19,500 Btu/h (5.71 kW)	Débit Calorifique minimum selon																																													
Maximum input	24,500 Btu/h (7.18 kW)	Débit Calorifique maximum selon																																													
Altitude	0-4500 ft/pi (0-1372 m)	l'altitude																																													
<p><b>ÉQUIPÉ À L'USINE POUR GAZ PROPANE CONCU POUR ÊTRE POELE: Modèle HZ42STE-LP10</b></p>																																															
<p>This appliance must be installed in accordance with local codes, if any; if none, follow the National Fuel Gas Code, ANSI Z223.1, or Natural Gas and Propane Installation Code, CSA B149.1. This appliance must be installed in accordance with the Standard CAN/CSA Z240 MH, Mobile Housing, in Canada, or with the Manufactured Home Construction and Safety Standard, Title 24 CFR, Part 3280, in the United States, or when such a standard is not applicable, ANSI/NCSB/CSA A225.1/NFPA 501A, Manufactured Home Installations Standard or ANSI A119.2 or NFPA 501C Standard for Recreational Vehicles. This appliance is only for use with the type of gas indicated on the rating plate and may be installed in an aftermarket, permanently located, manufactured (mobile) home where not prohibited by local codes. See owner manual for details.</p> <p>Installer l'appareil selon les codes ou règlements locaux, ou, en l'absence de tels règlements, selon les codes d'installation ANSI Z223.1, National Fuel Gas Code ou CSA-B149.1 en vigueur. Installer l'appareil selon la norme CAN/CSA-Z240, Série MM, Maison mobiles ou CAN/CSA-Z240 VC, Véhicules de camping, ou la norme 24 CFR Part 3280, Manufactured Home Construction and Safety Standard. Si ces normes ne sont pas pertinentes, utilisez la norme ANSI/NCSB/CSA A225.1/NFPA 501A, Manufactured Home Installations Standard, ou ANSI A119.2 ou NFPA 501C Standard for Recreational Vehicles. Cet appareil doit être utilisé uniquement avec le type de gaz indiqué sur la plaque signalétique. Cet appareil ne peut pas être installé dans une maison préfabriquée ou mobile (É.-U. seulement) installée à demeure si les règlements locaux le permettent. Voir la notice de l'utilisateur pour plus de renseignements. Cet appareil ne peut pas être utilisé avec d'autres gaz sauf si une trousse de conversion certifiée est fournie.</p> <p><b>This vented gas fireplace heater is not for use with air filters.</b>  <b>OR USE WITH GLASS DOORS CERTIFIED WITH THE APPLIANCE ONLY</b>  <b>or Use Only with Barrier (Part # 258-013) Follow installation instructions.</b></p> <p><b>Ne pas utiliser de filtre à air avec ce foyer au gaz à évacuation.</b>  <b>POUR UTILISATION UNIQUEMENT AVEC LES PORTES EN VERRE CERTIFIÉES AVEC L'APPAREIL</b>  <b>Utiliser uniquement avec l'écran ( n ° 258-013) Suivre les instructions d'installation.</b></p> <p>PI Fireplace Products International Ltd, Delta, BC, Canada <span style="float: right;">Made in Canada/ Fabriqué au Canada <span style="font-size: x-small;">919-40</span></span></p>																																															

For the State of Massachusetts, installation and repair must be done by a plumber or gasfitter licensed in the Commonwealth of Massachusetts.

For the State of Massachusetts, flexible connectors shall not exceed 36 inches in length.

For the State of Massachusetts, the appliances individual manual shut-off must be a t-handle type valve.

The State of Massachusetts requires the installation of a carbon monoxide alarm in accordance with NFPA 720 and a CO alarm with battery back up in the same room where the gas appliance is installed.

**MA Code - CO Detector**  
**(for the State of Massachusetts only)**

**5.08: Modifications to NFPA-54, Chapter 10**

(2) Revise 10.8.3 by adding the following additional requirements:

(a) For all side wall horizontally vented gas fueled equipment installed in every dwelling, building or structure used in whole or in part for residential purposes, including those owned or operated by the Commonwealth and where the side wall exhaust vent termination is less than seven (7) feet above finished grade in the area of the venting, including but not limited to decks and porches, the following requirements shall be satisfied:

1. **INSTALLATION OF CARBON MONOXIDE DETECTORS.** At the time of installation of the side wall horizontal vented gas fueled equipment, the installing plumber or gasfitter shall observe that a hard wired carbon monoxide detector with an alarm and battery back-up is installed on the floor level where the gas equipment is to be installed. In addition, the installing plumber or gasfitter shall observe that a battery operated or hard wired carbon monoxide detector with an alarm is installed on each additional level of the dwelling, building or structure served by the side wall horizontal vented gas fueled equipment. It shall be the responsibility of the property owner to secure the services of qualified licensed professionals for the installation of hard wired carbon monoxide detectors

a. In the event that the side wall horizontally vented gas fueled equipment is installed in a crawl space or an attic, the hard wired carbon monoxide detector with alarm and battery back-up may be installed on the next adjacent floor level.

b. In the event that the requirements of this subdivision can not be met at the time of completion of installation, the owner shall have a period of thirty (30) days to comply with the above requirements; provided, however, that during said thirty (30) day period, a battery operated carbon monoxide detector with an alarm shall be installed.

2. **APPROVED CARBON MONOXIDE DETECTORS.** Each carbon monoxide detector as required in accordance with the above provisions shall comply with NFPA 720 and be ANSI/UL 2034 listed and IAS certified.

3. **SIGNAGE.** A metal or plastic identification plate shall be permanently mounted to the exterior of the building at a minimum height of eight (8) feet above grade directly in line with the exhaust vent terminal for the horizontally vented gas fueled heating appliance or equipment. The sign shall read, in print size no less than one-half (1/2) inch in size, "**GAS VENT DIRECTLY BELOW. KEEP CLEAR OF ALL OBSTRUCTIONS**".

4. **INSPECTION.** The state or local gas inspector of the side wall horizontally vented gas fueled equipment shall not approve the installation unless, upon inspection, the inspector observes carbon monoxide detectors and signage installed in accordance with the provisions of 248 CMR 5.08(2)(a)1 through 4.

(b) **EXEMPTIONS:** The following equipment is exempt from 248 CMR 5.08(2)(a)1 through 4:

1. The equipment listed in Chapter 10 entitled "Equipment Not Required To Be Vented" in the most current edition of NFPA 54 as adopted by the Board; and

2. Product Approved side wall horizontally vented gas fueled equipment installed in a room or structure separate from the dwelling, building or structure used in whole or in part for residential purposes.

(c) **MANUFACTURER REQUIREMENTS - GAS EQUIPMENT VENTING SYSTEM PROVIDED.** When the manufacturer of Product Approved side wall horizontally vented gas equipment provides a venting system design or venting system components with the equipment, the instructions provided by the manufacturer for installation of the equipment and the venting system shall include:

1. Detailed instructions for the installation of the venting system design or the venting system components; and

2. A complete parts list for the venting system design or venting system.

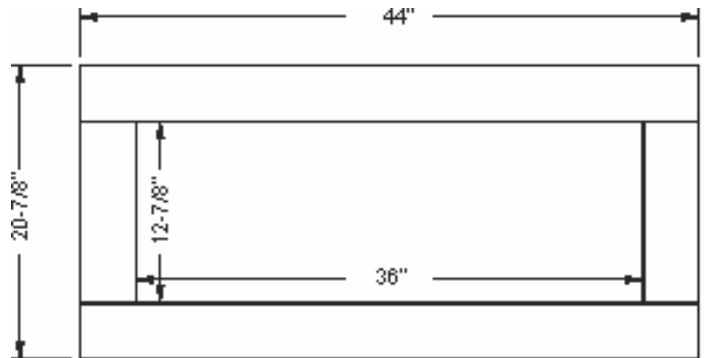
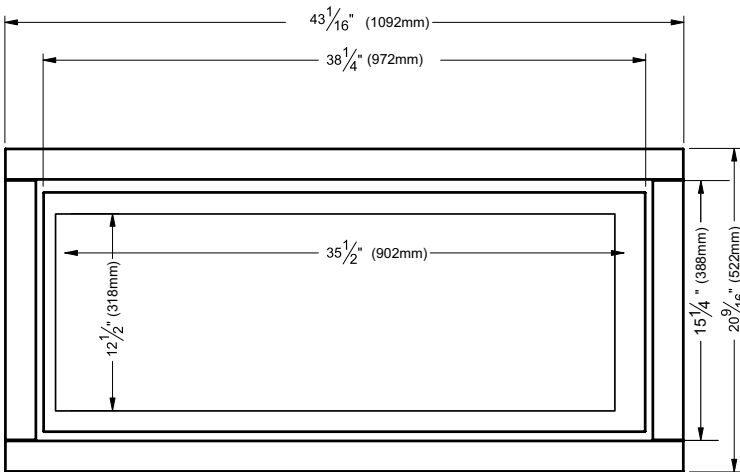
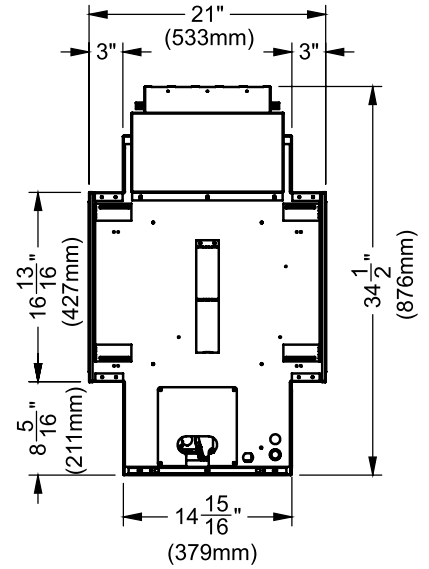
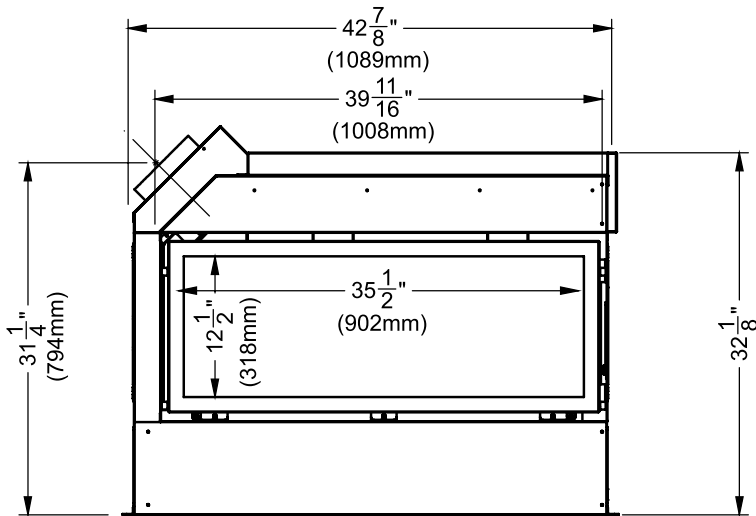
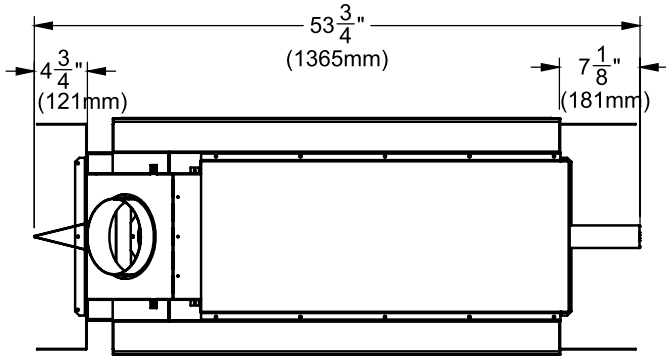
(d) **MANUFACTURER REQUIREMENTS - GAS EQUIPMENT VENTING SYSTEM NOT PROVIDED.** When the manufacturer of a Product Approved side wall horizontally vented gas fueled equipment does not provide the parts for venting the flue gases, but identifies "special venting systems", the following requirements shall be satisfied by the manufacturer:

1. The referenced "special venting system" instructions shall be included with the appliance or equipment installation instructions; and

2. The "special venting systems" shall be Product Approved by the Board, and the instructions for that system shall include a parts list and detailed installation instructions.

(e) A copy of all installation instructions for all Product Approved side wall horizontally vented gas fueled equipment, all venting instructions, all parts lists for venting instructions, and/or all venting design instructions shall remain with the appliance or equipment at the completion of the installation.

UNIT DIMENSIONS



Inner/Outer Faceplate

4 Piece Faceplate/Verona Surround



**IMPORTANT MESSAGE  
SAVE THESE  
INSTRUCTIONS**

The HZ42STE Direct Vent Fireplace must be installed in accordance with these instructions. Carefully read all the instructions in this manual first. Consult the "authority having jurisdiction" to determine the need for a permit prior to starting the installation. It is the responsibility of the installer to ensure this fireplace is installed in compliance with manufacturers instructions and all applicable codes.

**BEFORE YOU START**

Safe installation and operation of this appliance requires common sense, however, we are required by the Canadian Safety Standards and ANSI Standards to make you aware of the following:

INSTALLATION AND REPAIR SHOULD BE DONE BY AN AUTHORIZED SERVICE PERSON. THE APPLIANCE SHOULD BE INSPECTED BEFORE USE AND AT LEAST ANNUALLY BY A PROFESSIONAL SERVICE PERSON. MORE FREQUENT CLEANING MAY BE REQUIRED DUE TO EXCESSIVE LINT FROM CARPETING, BEDDING MATERIAL, ETC. IT IS IMPERATIVE THAT CONTROL COMPARTMENTS, BURNERS AND CIRCULATING AIR PASSAGEWAYS OF THE APPLIANCE BE KEPT CLEAN.

DUE TO HIGH TEMPERATURES, THE APPLIANCE SHOULD BE LOCATED OUT OF TRAFFIC AND AWAY FROM FURNITURE AND DRAPERIES.

**WARNING: FAILURE TO INSTALL THIS APPLIANCE CORRECTLY WILL VOID YOUR WARRANTY AND MAY CAUSE A SERIOUS HOUSE FIRE.**

CHILDREN AND ADULTS SHOULD BE ALERTED TO THE HAZARDS OF HIGH SURFACE TEMPERATURES, ESPECIALLY THE FIREPLACE GLASS, AND SHOULD STAY AWAY TO AVOID BURNS OR CLOTHING IGNITION.



YOUNG CHILDREN SHOULD BE CAREFULLY SUPERVISED WHEN THEY ARE IN THE SAME AREA AS THE APPLIANCE. TODDLERS, YOUNG CHILDREN AND OTHERS MAY BE SUSCEPTIBLE TO ACCIDENTAL CONTACT BURNS. A PHYSICAL BARRIERS IS RECOMMENDED IF THERE ARE AT RISK INDIVIDUAL IN THE HOUSE. TO RESTRICT ACCESS TO A FIREPLACE OR STOVE, INSTALL AN ADJUSTABLE SAFETY GATE TO KEEP TODDLERS, YOUNG CHILDREN AND OTHER AT RISK INDIVIDUALS OUT OF THE ROOM AND AWAY FROM HOT SURFACES.

CLOTHING OR OTHER FLAMMABLE MATERIAL SHOULD NOT BE PLACED ON OR NEAR THE APPLIANCE.

A BARRIER DESIGNED TO REDUCE THE RISK OF BURNS FROM THE HOT VIEWING GLASS IS PROVIDED WITH THIS APPLIANCE AND SHALL BE INSTALLED FOR THE PROTECTION OF CHILDREN AND OTHER AT-RISK INDIVIDUALS

IF THE BARRIER BECOMES DAMAGED, THE BARRIER SHALL BE REPLACED WITH THE MANUFACTURER'S BARRIER FOR THIS APPLIANCE.

ANY SAFETY SCREEN, GUARD, OR BARRIER REMOVED FOR SERVICING AN APPLIANCE MUST BE REPLACED PRIOR TO OPERATING THE APPLIANCE.

**GENERAL SAFETY INFORMATION**

- 1) The appliance installation must conform with local codes or, in the absence of local codes, with the current Canadian or National Gas Codes, CAN1-B149 or ANSI Z223.1 Installation Codes.
- 2) The appliance when installed, must be electrically grounded in accordance with local codes, or in the absence of local codes with the current National Electrical Code, ANSI/NFPA 70 or CSA C22.1 Canadian Electrical Code.
- 3) See general construction and assembly instructions. The appliance and vent should be enclosed.

- 4) This appliance must be connected to the specified vent and termination cap to the outside of the building envelope. Never vent to another room or inside a building. Make sure that the vent is fitted as per Venting instructions.
- 5) Inspect the venting system annually for blockage and any signs of deterioration.
- 6) Venting terminals shall not be recessed into a wall or siding.
- 7) Any safety glass removed for servicing must be replaced prior to operating the appliance.
- 8) To prevent injury, do not allow anyone who is unfamiliar with the operation to use the fireplace.
- 9) Wear gloves and safety glasses for protection while doing required maintenance.
- 10) Be aware of electrical wiring locations in walls and ceilings when cutting holes for termination.
- 11) Under no circumstances should this appliance be modified. Parts that have to be removed for servicing should be replaced prior to operating this appliance.
- 12) Installation and any repairs to this appliance should be done by an authorized service person. A professional service person should be called to inspect this appliance annually. Make it a practice to have all of your gas appliances checked annually.
- 13) Do not slam shut or strike the glass door.
- 14) Under no circumstances should any solid fuels (wood, paper, cardboard, coal, etc.) be used in this appliance.
- 15) The appliance area must be kept clear and free of combustible materials, (gases and other flammable vapours and liquids).

Emissions from burning wood or gas could contain chemicals known to the State of California to cause cancer, birth defects or other reproductive harm.



## INSTALLATION CHECKLIST

- 1) Locate appliance
  - a) Room location (Refer to "Locating Your Gas fireplace" section)
  - b) Clearances to Combustibles (Refer to "Clearances" section)
  - c) Mantle Clearances (Refer to "Mantle Clearances" section)
  - d) Framing & Finishing Requirements (Refer to "Framing & Finishing" section)
  - e) Venting Requirements (Refer to "Venting" section)
- 2) Assemble Top and Side Standoffs (Refer to "Unit Assembly Prior to Installation).
- 3) Slide unit into place.
- 4) Install vent (Refer to "Venting Arrangement" sections).
- 5) Make gas connections (Refer to "Gas Line Installation section).
- 6) Make electrical connections to receptacle supplied with unit (recommended).
- 7) Install 4 AA batteries into receiver/switch box or use AC power adaptor supplied with this appliance.
- 8) See remote control instructions for operation
- 9) Test the pilot (Refer to "Pilot Adjustment" section).
- 10) Test Gas Pressure (Refer to "Gas Pipe Pressure Testing" section).
- 11) Install standard and optional features. Refer to the following sections:
  - a) Glass Crystals/ Firebeads /Optional Ceramic Stones
  - b) Optional Firebox Base Pebbles
  - c) Optional Reflective Panels
  - d) Inner door Frame
  - e) Faceplate
  - f) Remote Control or Wall Thermostat
- 12) Final check.

Before leaving this unit with the customer, the installer must ensure that the appliance is firing correctly and **operation fully explained to customer.**

### This includes:

- 1) Clocking the appliance to ensure the correct firing rate (rate noted on label 26,000 Btu/h (NG), after burning appliance for 15 minutes.
- 2) If required, adjusting the primary air to ensure that the flame does not carbon. First allow the unit to burn for 15-20 min. to stabilize.

**CAUTION: Any alteration to the product that causes sooting or carboning that results in damage is not the responsibility of the manufacturer.**

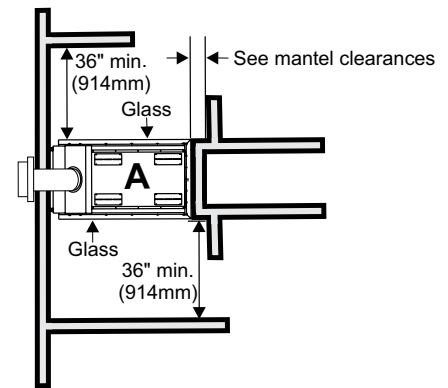
## LOCATING YOUR GAS FIREPLACE

- 1) When selecting a location for your fireplace, ensure that the clearances are met as outlined in the "Clearances" section.
- 2) Provide adequate clearances for servicing.
- 3) The appliance must be installed on a flat, solid, continuous surface (e.g. wood, metal, concrete). This may be the floor, or raised up on a platform to enhance its visual impact. If the appliance is going to be installed on carpeting, combustible linoleum tile or other combustible material other than wood flooring, the appliance must be installed on a metal or wood panel extending the full width and depth of the appliance.
- 4) The Direct Vent Gas Fireplace can be installed as follows:

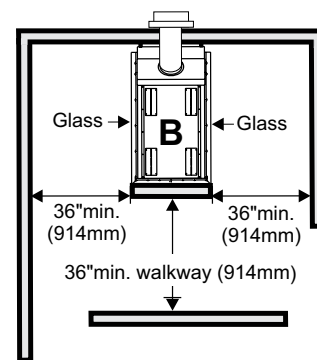
	Model #	Position
A)	HZ42STE:	See Thru
B)	HZ42STE:	See Thru

- 5) This appliance is Listed for bedroom installations when used with a Listed Millivolt Thermostat. Some areas may have further requirements, check local codes before installation.
- 6) The HZ42STE Direct Vent Gas Fireplace is approved for alcove installations, which meet the clearances listed on this page.
- 7) We recommend that you plan your installation on paper using exact measurements for clearances and floor protection before actually installing this appliance. Have a qualified inspector, dealer, or installer review your plans before installation.

**Note: For Exterior Vent Termination Locations see section "Exterior Vent Termination Locations."**



HZ42 ST - SEE THRU



HZ42 ST - SEE THRU

**CLEARANCES**

The clearances listed below are Minimum distances unless otherwise stated:

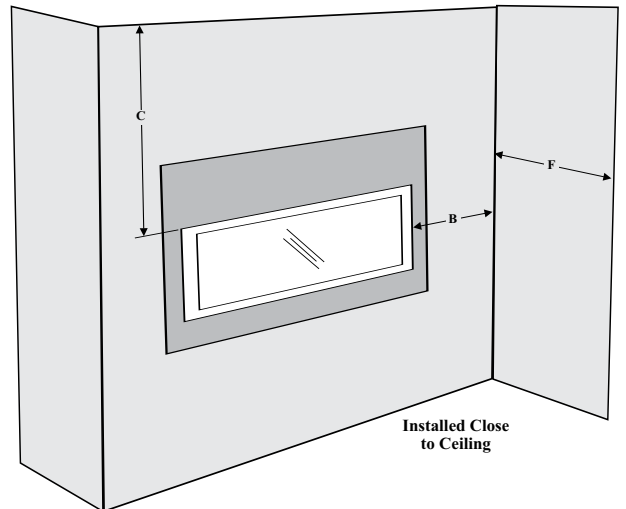
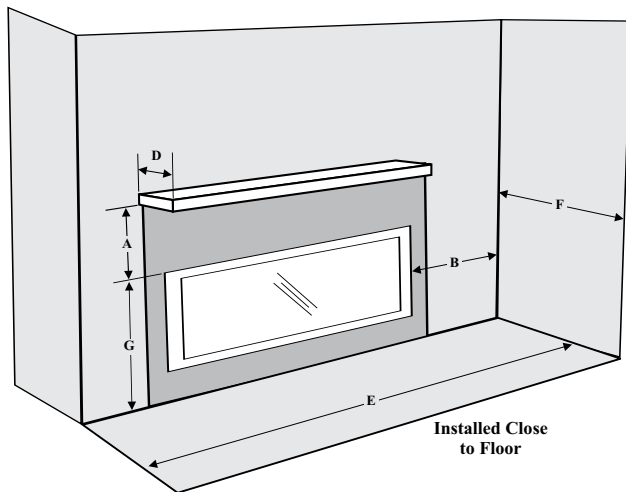
A major cause of chimney related fires is failure to maintain required clearances (air space) to combustible materials. It is of the greatest importance that this fireplace and vent system be installed only in accordance with these instructions.

**Caution Requirements**  
 The top, back and sides of the fireplace are defined by standoffs. The metal ends of the standoff may **NOT** be recessed into combustible construction.

**WARNING**  
 Fire hazard is an extreme risk if these clearances (air space) to combustible materials are not adhered to. It is of greatest importance that this fireplace and vent system be installed only in accordance with these instructions.

Clearance:	Dimension	Measured From:
<b>A: Mantel Height (min.)</b>	17" (432mm)	Top of Fireplace Opening
<b>B: Sidewall (on one side)</b>	7" (178mm) if Horizontal Venting 9" (229mm) if Vertical Venting	Side of Fireplace Opening
<b>C: Ceiling (room and/or alcove)</b>	22" (559mm)	Top of Fireplace Opening
<b>D: Mantel Depth (max.)</b>	12" (305mm)	21-1/2" Above Fireplace Opening
<b>E: Alcove Width</b>	84" (2134mm)	Sidewall to Sidewall (Minimum)
<b>F: Alcove Depth</b>	36" (914mm)	Front to Back Wall (Maximum)
<b>G: Finished Floor</b>	25-1/4" (641mm)	Top of Fireplace Opening
<b>Note</b>	0" (0mm)	No Hearth Required

Flue Clearances to Combustibles	
Horizontal - Top	3"
Horizontal - Side	2"
Horizontal - Bottom	2"
Vertical	2"
Passing through wall/floor/ceiling - when firestop is used.	1-1/2"



### FRAMING DIMENSIONS

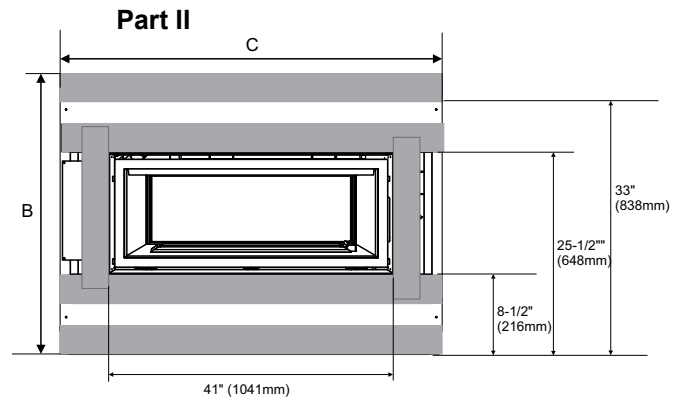
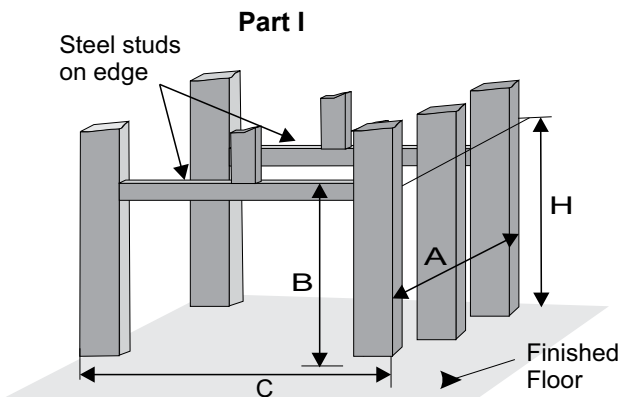
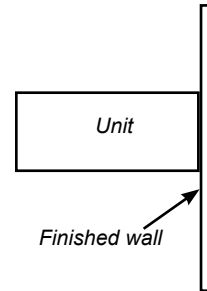
HZ42STE Framing Dimensions		
A *	Framing Depth *	20" (508mm) **minus 2X the finished material thickness
B	Framing Height	42" (1067mm)
C	Framing Width	54" (1372mm) Horizontal /58" (1473mm) Vertical Vent
D	Gas Connection Height	3-7/16" (87mm)
E	Gas Connection Inset	4-7/8" (124mm)
F	Gas Connection Opening Width	3-1/2" (89mm)
G	Gas Connection Opening Height	2-5/8" (67mm)
H	Minimum Height to Combustibles	42" (1067mm)

\* Framing depth measurement is noted with nailing strips (top & sides) set as far forward on the firebox as possible. The nailing strips can be adjusted (on both sides) to allow for varying thicknesses in non-combustible material and wall finishes.  
 \*\*Finished material thickness includes: non combustible material, tile slate, etc.  
 (example framing = 20" - if 2" thick finishing material is used (on both sides)=16"

**Important:**

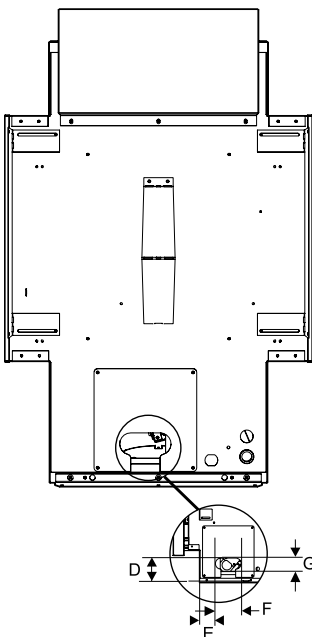
Determine the wall thickness prior to framing this unit. The finished wall depending on thickness would decrease the required clearance of 7 or 9 inches depending if this is horizontally vented/ Vertically vented so thought must be put into the framing details.

If the finished wall is 1/2 inch—the framing should be 1/2 inch deeper to accommodate the finished wall.

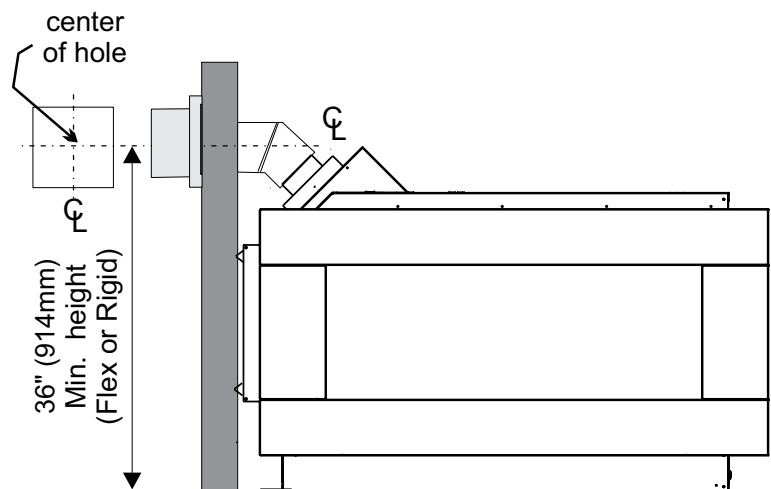


Steel studs - for ease of installation of non combustible material-after **Part I** is complete.

\* Install after unit in place with gas connection, electrical and venting completed.



Note: Gas hookup is on vent side of unit.



**IMPORTANT:**  
 1/2" gap required between faceplate and finished wall.  
 Dangerous operating conditions will occur if this is not adhered to.

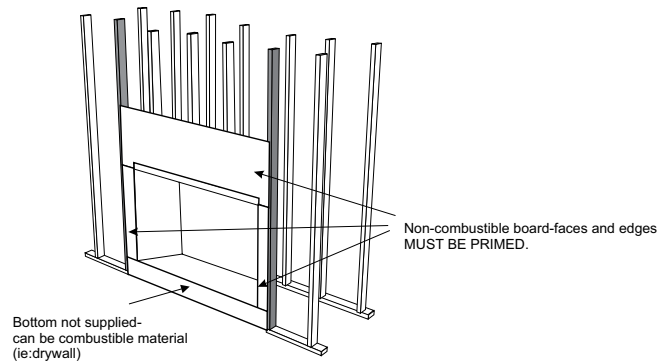
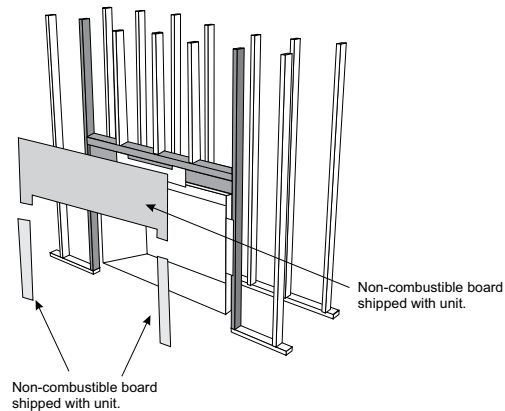
## NON-COMBUSTIBLE FACING INSTALLATION

**Caution:** The non-combustible board (order part #588-936) can be damaged if dropped or struck. Handle with care.

- 1) Using drywall screws - secure non combustible material around unit, framing and top nailing strip every 6 inches.

**Important Note:** To avoid cracking the board - pre-drill holes prior to securing to unit/ framing.

- 2) Wipe any debris/dust from the non combustible material and drywall.
- 3) Prior to securing it is mandatory to prime the facing and edges using a quality primer. This will ensure proper adhesion of both the tape and mud. The supplied board is very porous. Failure to follow this procedure will result in cracked seams.
- 4) Tape the seams using a mesh type tape.
- 5) Mud seams as normal. We recommend using a product called Durabond high strength compound - for the first coat. This product can be found at any hardware store. Mud must be cured as per manufacturer's recommendations.
- 6) Prime wall for a second time for proper adhesion of paint
- 7) Paint walls using a high quality paint which will withstand the high temperatures being emitted from this appliance.



### IMPORTANT

Regency Fireplace Products are designed, produced, tested and certified to the highest industry standards.

The finishing of the walls surrounding your Regency Horizon Fireplace is as critical as the installation itself.

The temperatures around linear gas fireplaces are typically higher than would be acceptable for combustible materials. Your Regency Horizon Fireplace is no exception to this rule. Therefore, the units are specified with non-combustible required materials to specific dimensions above and around the units. This is due to these areas reaching higher temperature levels than required/acceptable for a combustible material. To obtain the best, most durable finish around your fireplace, this calls for a high level of care and attention to the preparation and finish around this appliance, using only the highest quality materials, able to withstand the temperatures produced.

By following the installation instructions in the manual exactly, you will increase your chances of a damage free finish.

While every precaution is taken in providing the recommendations on preparation and finish, given the variations in paint quality, with temperature limits and workmanship in application, Regency is unable to guarantee the life of the joint compounds, paint or any other finish materials or workmanship applied to or used in any application surrounding the fireplace. This includes framing as well as finishing.

Over time natural convection from any fireplace can cause discoloration in the area directly above the appliance. Lower quality paints, under-prepared finishes, poor applications, and any framing discrepancies or in the installation can cause this discoloration process to be expedited.

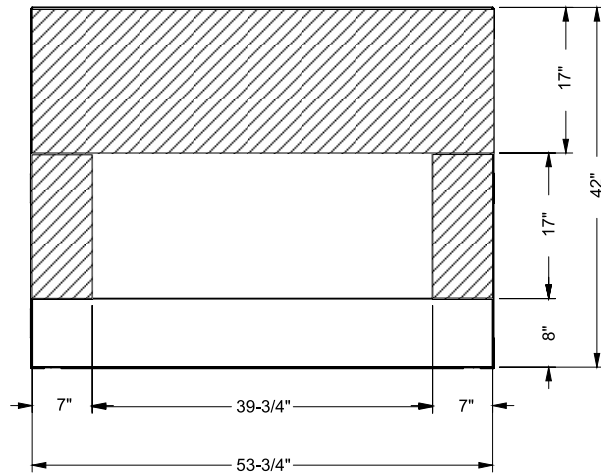
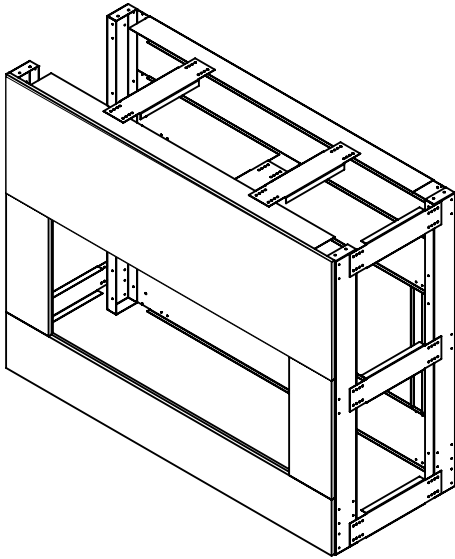
Discoloration is not the responsibility of Regency Fireplace Products. This is outwith the control of Regency Fireplace Products Ltd., therefore not covered under any part of the warranty policy.



While discoloration is not the responsibility of Regency Fireplace Products, we believe careful attention to the recommendations provided here will result in an aesthetically pleasing result free of issues outlined above.

### NON-COMBUSTIBLE REQUIREMENTS

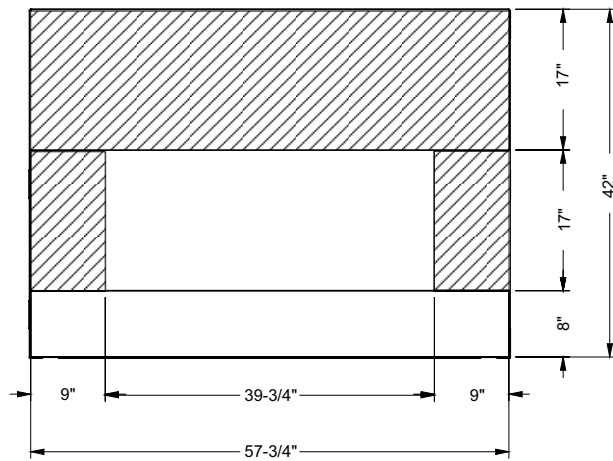
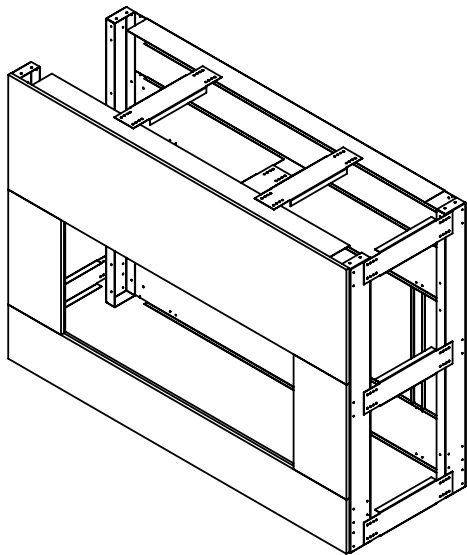
Determine whether the venting will be a horizontal or vertical as the non combustible material can be cut to size dependant on whether unit is horizontally/vertically vented. The non combustible material comes in 3 separate pieces, top section is 57-3/4"x 9" - side sections are 9" x 17".

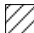

#### HORIZONTAL VENTING



-  Non-combustible material (supplied)
-  Combustible material (not supplied) ie. Drywall

#### VERTICAL VENTING



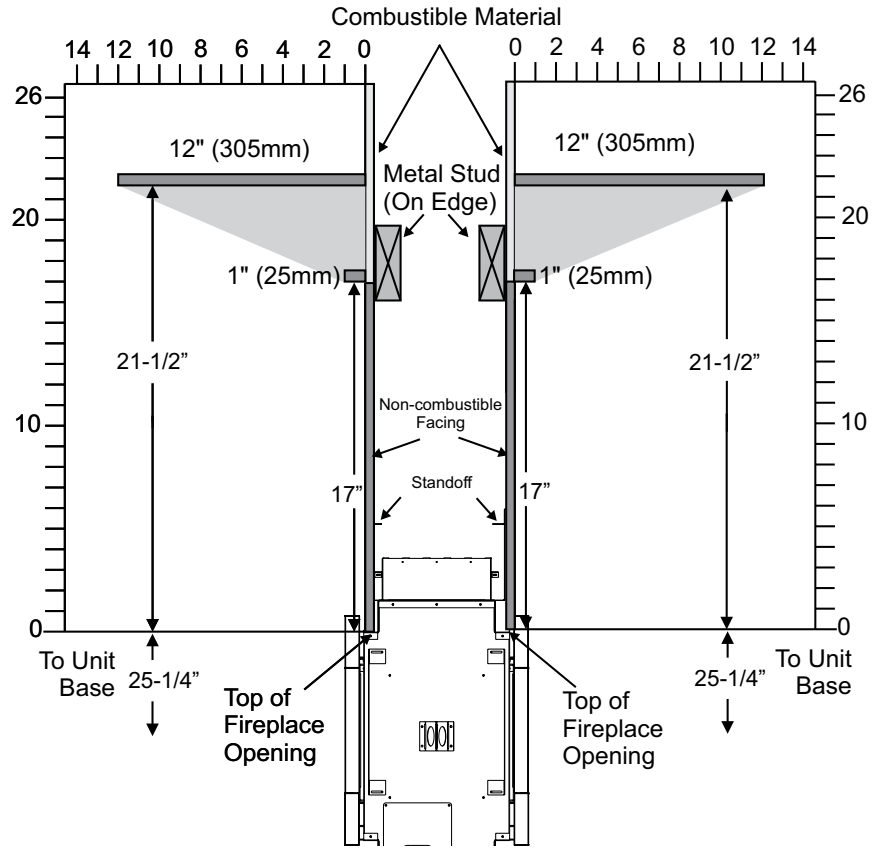
-  Non-combustible material (supplied)
-  Combustible material (not supplied) ie. Drywall

## MANTEL CLEARANCES

Due to the extreme heat this fireplace emits, the mantel clearances are critical. Combustible mantel clearances from top of front facing are shown in the diagram on the right.

**Note:** A non-combustible mantel may be installed at a lower height if the framing is made of metal studs covered with a non-combustible board.

**Note:** Ensure the paint that is used on the mantel and the facing is "High Quality" or the paint may discolour.



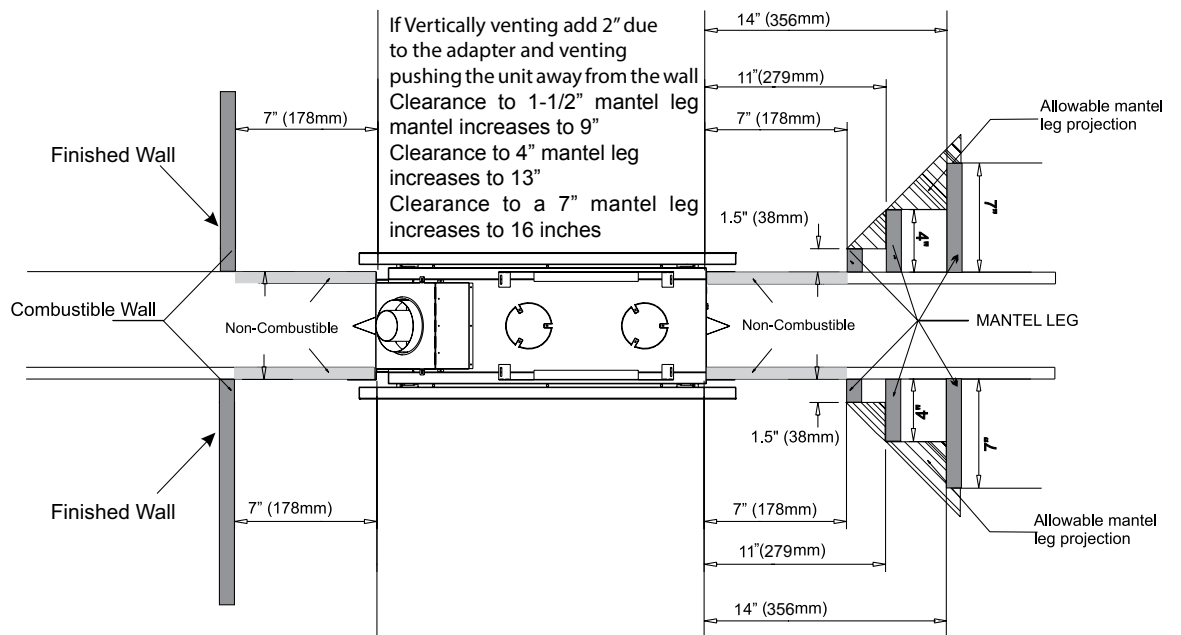
## MANTEL LEG CLEARANCES

Combustible mantel leg clearances as per diagram:

### Important

Determine the wall thickness prior to framing this unit. The finished wall depending on thickness would decrease the required clearance of 7 or 9 inches depending if this is horizontally vented/ Vertically vented so thought must be put into the framing details. If the finished wall is 1/2 inch the framing should be 1/2 inch deeper to accommodate the finished wall

### Horizontal venting clearance requirements are shown.



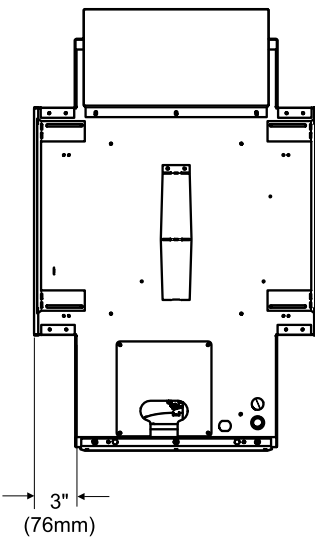
## FRAMING & FINISHING

1) Frame in the enclosure for the unit with framing material.

**IMPORTANT: Vertical studs and the header must be metal.**

**Note: When constructing the framed opening, please ensure there is access to install the gas lines when the unit is installed.**

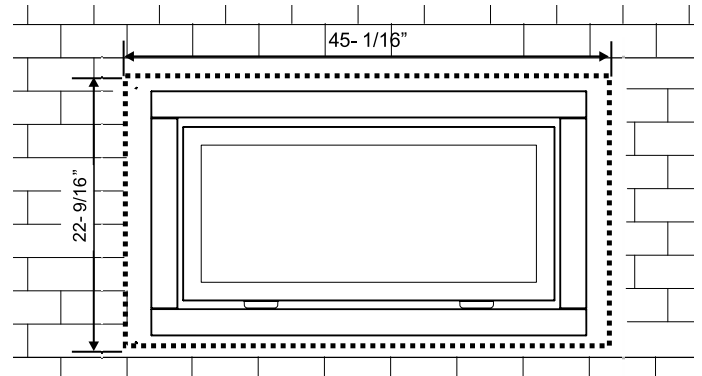
- 2) The unit does not have to be completely enclosed in a chase. You must maintain clearances from the vent to combustible materials: See "Clearances" section. Combustible materials can be laid against the side and back standoffs and the stove base.
- 3) Non-combustible material (ie. tile, slate, etc) may be brought up to and overlap the unit (top and bottom) ensuring that the maximum thickness does not go beyond the 3" as shown in the diagram below. The faceplate will not be able to be mounted if the finished material is beyond 3".



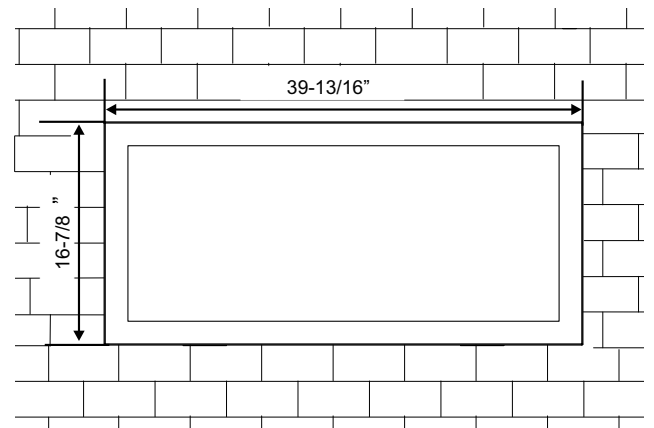
**Note:**

Depending on the material used for finishing, the nailing strips must be set accordingly so that the finished material is always at the 3" edge of the flange.

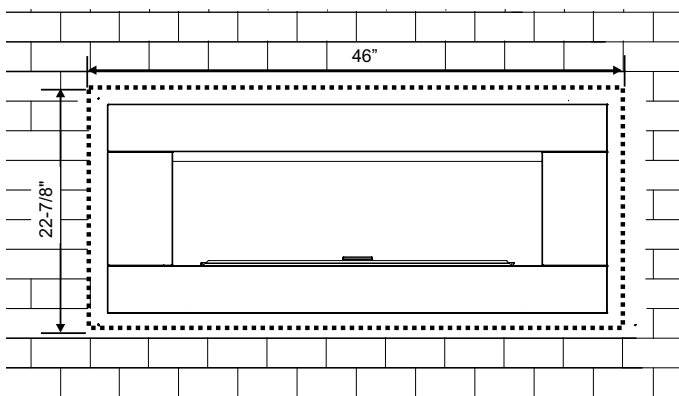
- 4) If material such as brick, stone, etc. extends past the faceplate depth, when finishing around the faceplate, the minimum opening dimensions noted below must be adhered to ensuring for the removal of the faceplate and for the safe operation of this appliance.



Unit shown with inner and outer door frame



Unit shown with inner door frame only



Unit shown with 4 piece faceplate/Verona Glass Surround

Finished Material	Nailing Strip Position	
1/2"	2-1/2"	<p>Nailing Strip 1" Forward Unit</p>
1"	2"	<p>Nailing Strip 1/2" Forward Unit</p>
1-1/2"	1-1/2"	<p>Nailing Strip Flush w/unit Factory Set Unit</p>



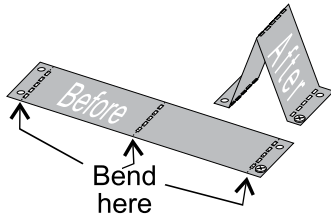
## UNIT ASSEMBLY PRIOR TO INSTALLATION

The Standoffs and Nailing Strips must be correctly positioned and attached to the firebox before unit is slid into position.

### STANDOFF ASSEMBLY

The side, top and rear standoffs are shipped in a flat position and must be folded into shape and attached.

- 1) Remove the standoffs from the fireplace.
- 2) Take each standoff and bend into the correct shape. Bend up at the bend lines until the screw holes in the standoff and the pre-punched screw holes on the fireplace side line up.
- 3) Attach the standoff securely to the side with 2 screws per standoff (on opposite corners).

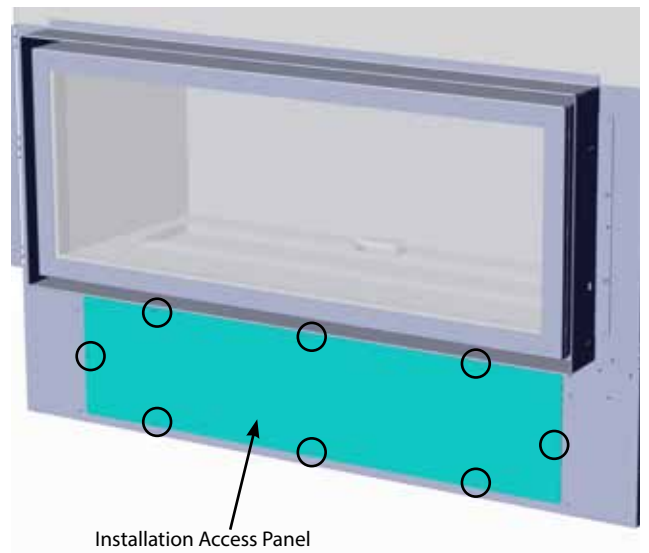


### INSTALLATION ACCESS PANEL

The unit is equipped with a removable access panel for pre-finish installation of optional components - this panel is located on the lower front face.

1. Remove 8 screws to remove access panel.
2. Easier access to gas connection with panel removed.
3. Install any optional components with access panel removed.
4. Reinstall access panel with 8 screws - prior to installing any facing material

**Note:** Access panel is no longer usable once facing material installed.



## OPTIONAL FRAMING KIT

An optional framing kit is available for the HZ42STE.

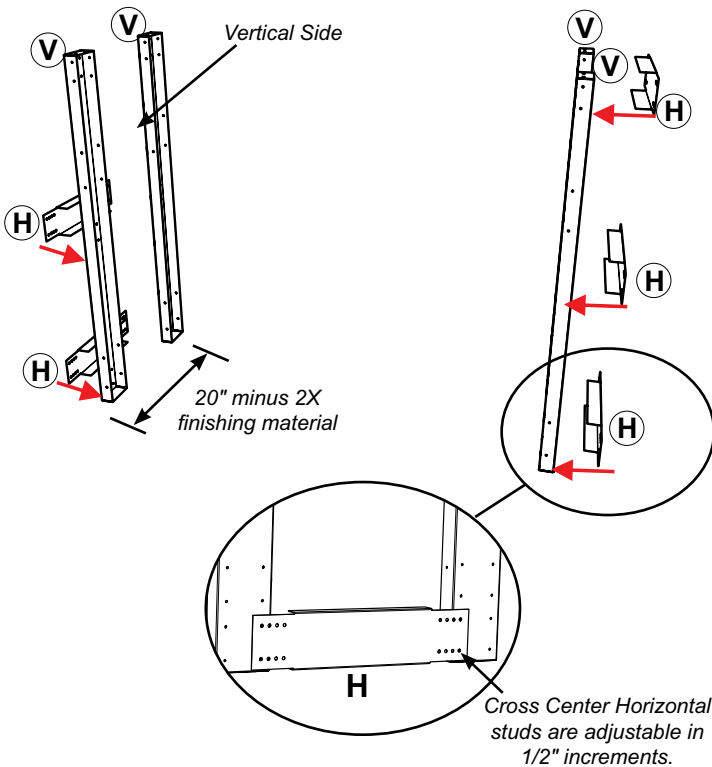
**Note:** There are different configurations for horizontal exit venting vs vertical exit venting and options in the framing width to accommodate various thicknesses of finishing materials.

Determine your installation prior to assembly of this frame kit.

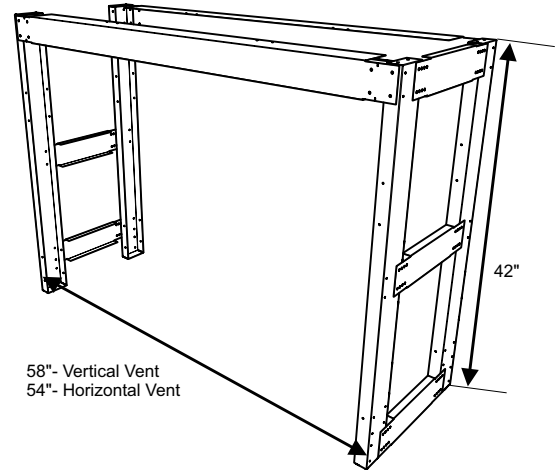
Prior to assembling the framing kit, determine the overall thickness of the non combustible material plus finishing material. Framing must be 20 inches minus the overall non combustible/finishing material.

Example= 2 inches of finishing material per side = 16 inches framing width.

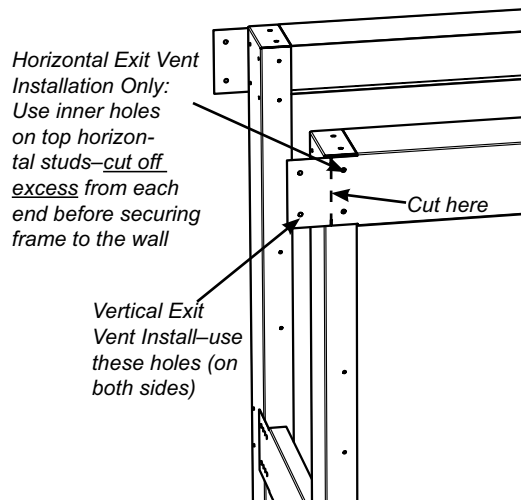
1. Assemble the 2 (two) vertical ends (V) of the framing kit by securing horizontal studs (H) with 4 (four) screws securing each stud—two on each side. The horizontal studs (H) are adjustable in 1/2" increments to accommodate finishing materials - determine the thickness of the finishing materials before securing the horizontal studs (H)..



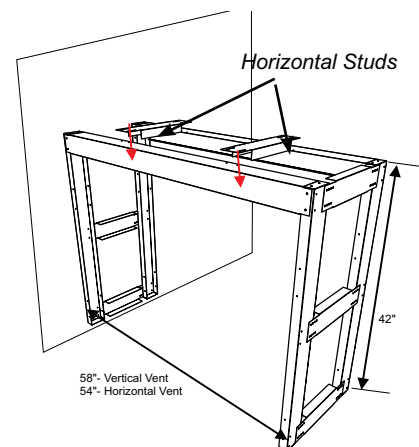
2. Install the 2 long horizontal studs, secure with 2 screws on each end - installing with horizontal vent exit see Step 4 before installing.



3. If installing the unit with horizontal venting—secure the 2 (two) top horizontal studs using the inner holes—cut the remainder of the stud (repeat at off end) before proceeding to Step 3.

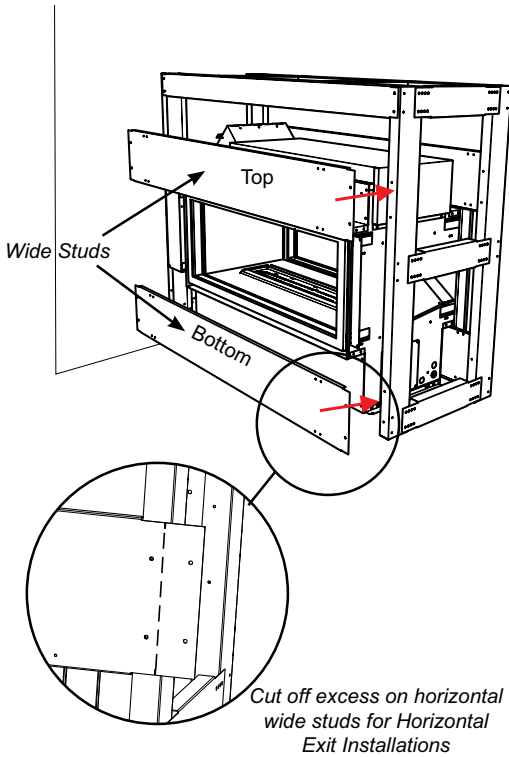


4. Install 2 top horizontal studs with 2 screws on each side.

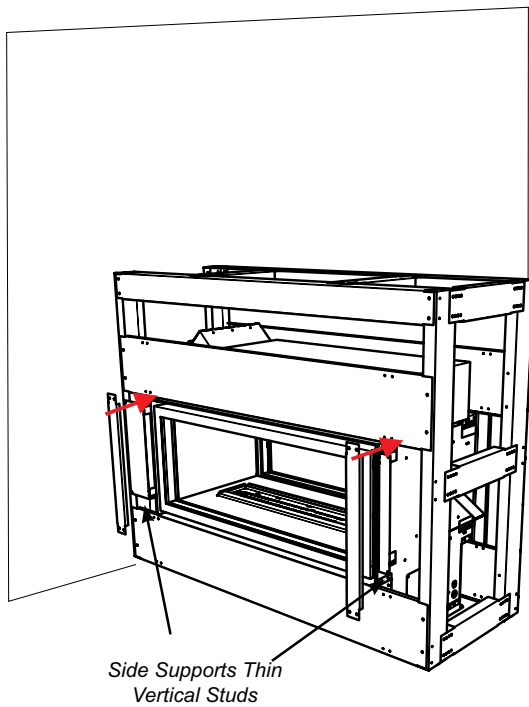


## 18 | installation

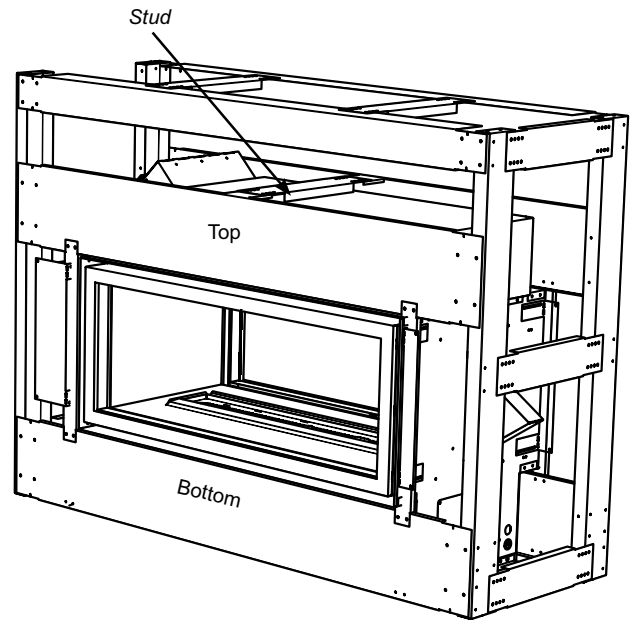
5. Install the 2 long horizontal studs, secure with 2 screws on each end - if installing with horizontal vent exit see Step 4 before installing.



6. Set unit in place, center within framing from each side and also back to front—install 2 (two) wide studs above and below the unit as shown with 2 (two) screws on each side - repeat on opposite side.



7. Install 2(two) thin vertical studs on either side of the unit as shown with 2(two)screws on each end.

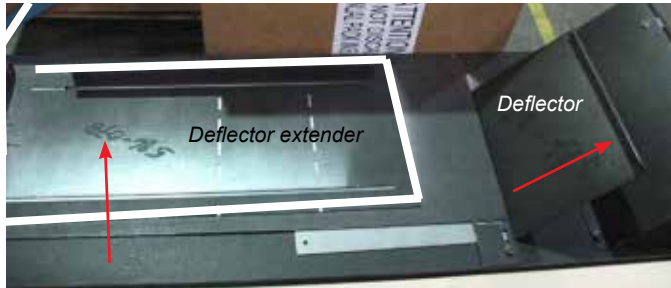


8. Install 1 stud in the location shown below with 2(two) screws on each side.  
9. Proceed with the installation of non-combustible and finishing materials.

## HORIZONTAL VENT DEFLECTOR INSTALLATION

**Note:** This installation is only required for horizontal terminations. If any rise is used when venting this unit - the deflector and extender are not required.

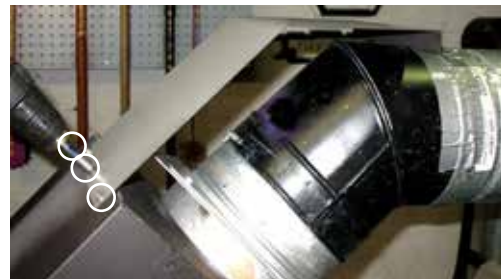
- 1) The deflector and extender are shipped on top of the firebox. Slide the deflector out from under the nailing strip and lift the extender up off the nailing strip.



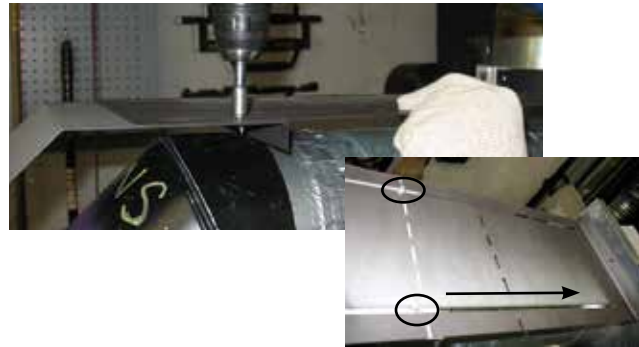
- 2) Remove the 3 screws near the vent outlet on the firebox - as shown below.



- 3) Install the deflector near the vent outlet - secure with the same 3 screws. Ensure flange on deflector is facing downward.



- 4) Install the extender on top of the deflector with 2 screws - slide the extender until it touches the outside wall - tighten screws to secure. Extender can be adjusted to max. 15-1/2".



**WALL MOUNT ON / OFF SWITCH AND REMOTE RECEIVER INSTALLATION  
REQUIRED FOR ALL INSTALLATIONS - INCLUDING PROFLAME REMOTE CONTROLS**

**IMPORTANT INSTALLATION NOTE:**

The Receiver must be placed inside the supplied (Low Voltage) junction type wall box and installed into the wall only.

**DO NOT INSTALL WITHIN THE CONFINES OF THE FIREPLACE.**

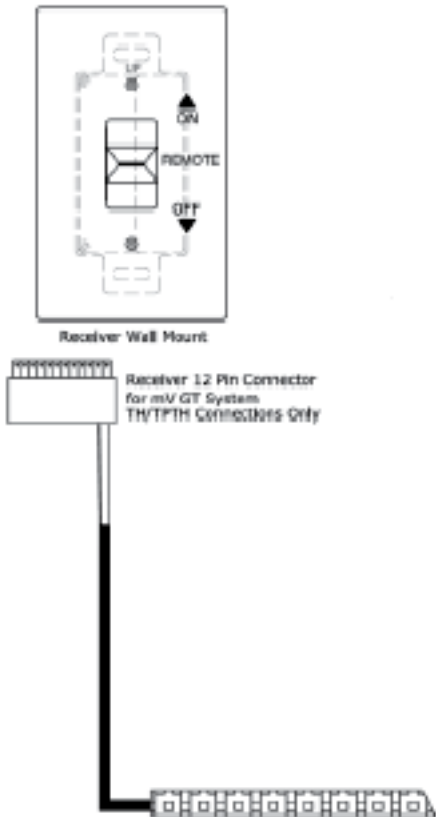
**Remote Receiver Installation**

1. Install the low voltage junction box to the framing, at desired location within 10 ft. from fireplace.
2. Feed the 12 pin connector through the opening at back of junction box.
3. Connect the 12 pin connector to the back of the receiver.
4. Install the Receiver in the Low Voltage Junction box.
5. Insert the 4 AA type batteries in the battery compartment with the correct polarity.
6. Place the slider into the cover plate.
7. Put the Receiver switch in the "OFF" position, to allow correct lineup for slider switch.
8. Make sure the Receiver and cover plate words "ON" and "UP" are on the same side.
9. Align the slider with the switch on the Receiver and couple the switch into the slider.
10. Align the screw holes.
11. Using the two (2) screws provided secure the cover plate to the Receiver.



Low Voltage Junction Box

**Proflame Receiver**



10 ft. wire harness with 12 pin connector

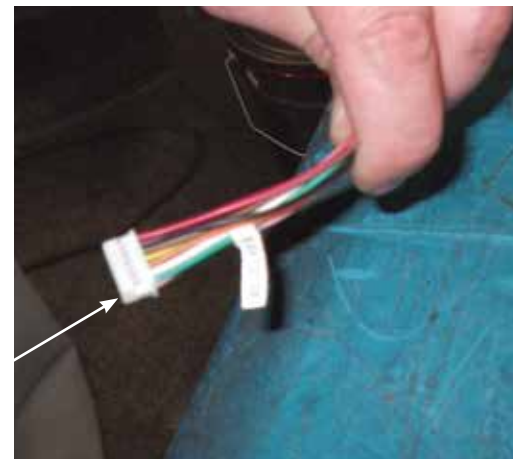
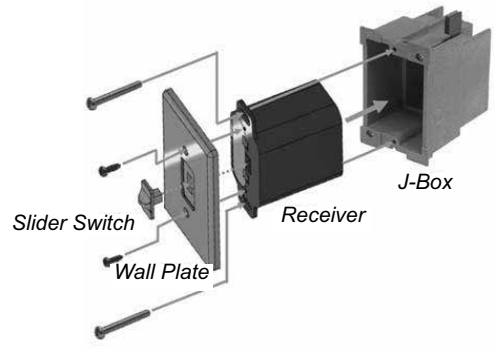


Diagram 1

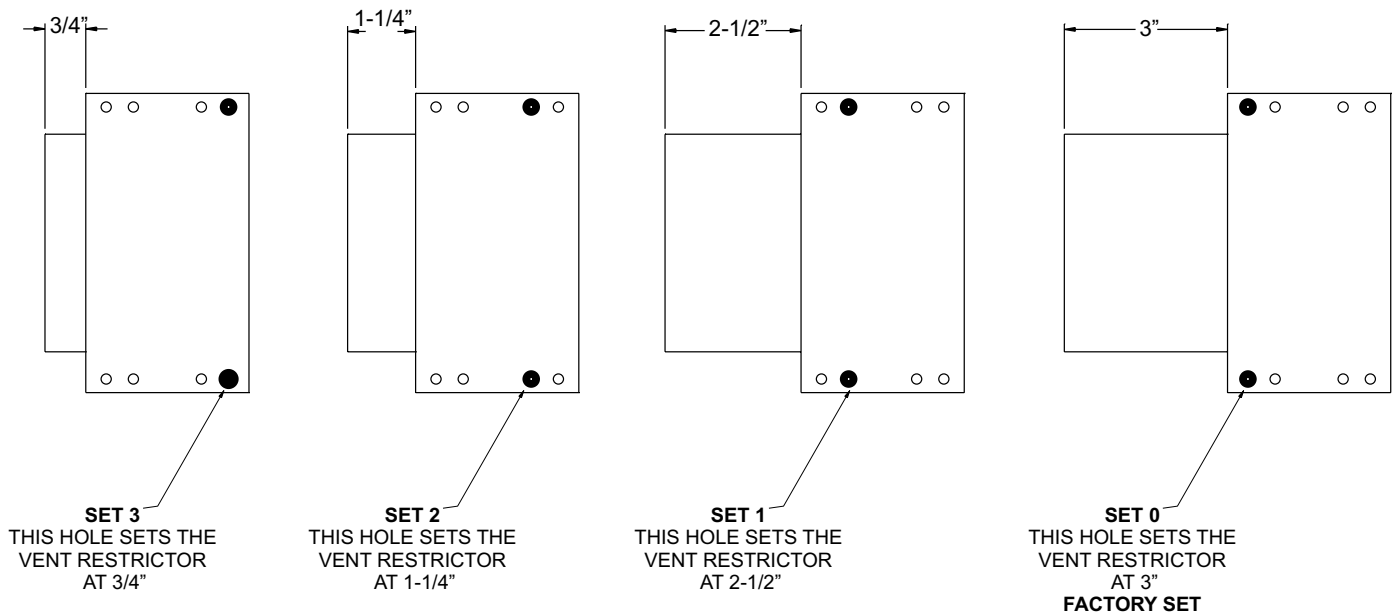
## VENT RESTRICTOR POSITION

Vent restriction is required for certain venting installations, see the diagrams in the "Venting Arrangements" section to determine if they are required for your installation.

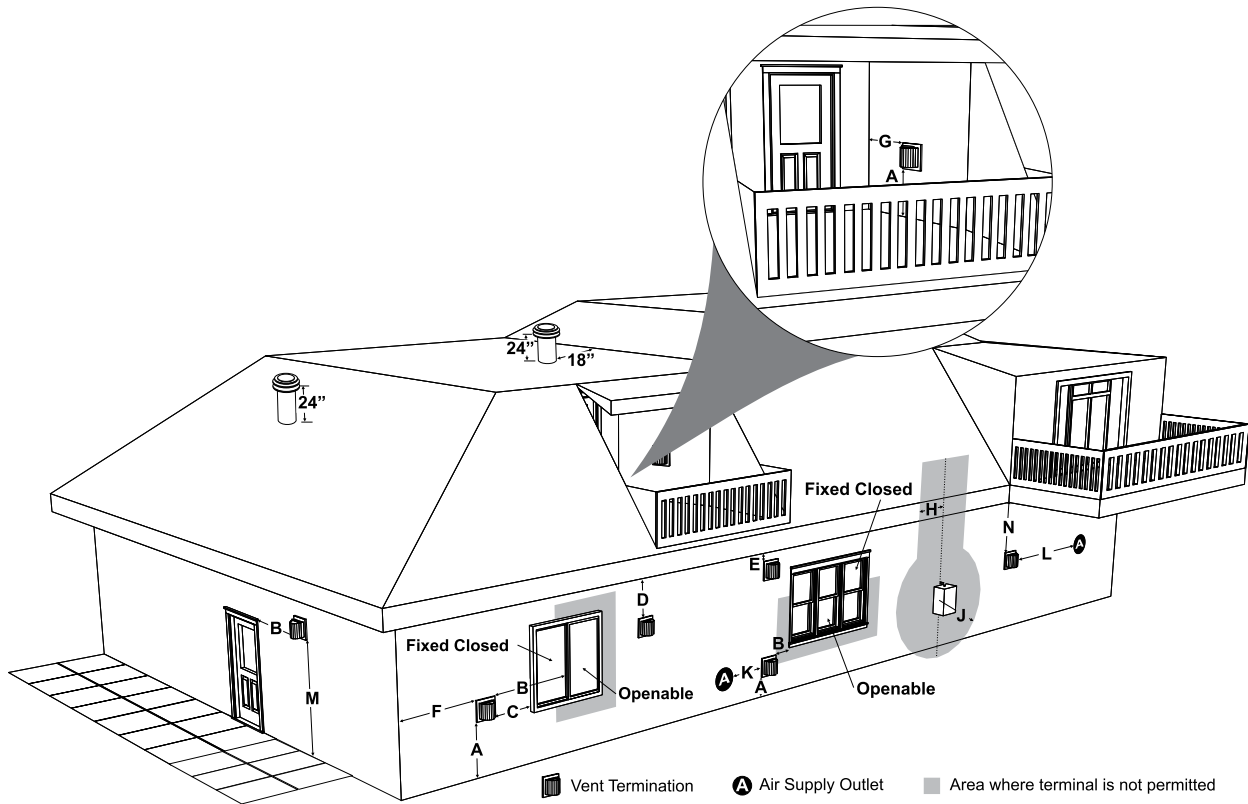
The Vent Restrictor plate is located on the inside top of the firebox.

To set the vent restriction as indicated in the venting arrangements diagrams, refer to the following instructions;

- 1) Remove the glass door.
- 2) Remove the screws that hold the vent restrictor plate in place.
- 3) Adjust the vent restrictor plate to the required vent restrictor position as per the diagrams shown.
- 4) Once the vent restrictor plate is in the required position, secure with screws.



EXTERIOR VENT TERMINATION REQUIREMENTS



	Minimum Clearance Requirements	Canada <sup>1</sup>	USA <sup>2</sup>
A	Clearance above grade, veranda, porch, deck, or balcony	12"(30cm)	12"(30cm)
B	Clearance to window or door that may be opened	12"(30cm)	9" (23cm)
C	Clearance to permanently closed window	*	*
D	Vertical clearance to ventilated soffit located above the terminal within a horizontal distance of 2 feet (61cm) from the center line of the terminal (check with the local code)	18"(46cm)	18"(46cm)
E	Clearance to unventilated soffit	19"(48cm)	19"(48cm)
F	Clearance to outside corner: with AstroCap Termination Cap.	7"(18cm)	7"(18cm)
	Clearance to outside corner: with all other approved Termination Caps.	13"(33cm)	13"(33cm)
G	Clearance to inside corner: with AstroCap Termination Cap	7"(18cm)	7"(18cm)
	Clearance to inside corner: with all other approved Termination Caps.	13"(33cm)	13"(33cm)
H	Clearance to each side of center line extended above meter/regulator assembly	36"(90cm) <sup>a</sup>	*
J	Clearance to service regulator vent outlet	36"(90cm)	*
K	Clearance to non-mechanical air supply inlet to building or the combustion air inlet to any other appliance	12"(30cm)	9" (23cm)
L	Clearance to a mechanical air supply inlet #3' (91cm) above if within 10' (3m) horizontally.	72"(1.8m)	36"(90cm) <sup>b</sup>
M	Clearance above paved sidewalk or a paved driveway located on public property	84"(2.1m) <sup>†</sup>	*
N	Clearance under veranda, porch, deck, or balcony	12"(30cm) <sup>‡</sup>	*

<sup>1</sup> In accordance with current CSA B149.1, Natural Gas and Propane Installation Code

<sup>2</sup> In accordance with the current ANSI Z223.1/NFPA 54, National Fuel Gas Code

<sup>†</sup> A vent shall not terminate directly above a sidewalk or paved driveway which is located between two single family dwellings and serves both dwellings

<sup>‡</sup> Permitted only if veranda, porch, deck, or balcony is fully open on a minimum of two sides beneath the floor

\* Clearance in accordance with local installation codes and the requirements of the gas supplier

<sup>a</sup> 3 feet (91cm) within a height of 15 feet (4.5m) above the meter / regulator assembly

<sup>b</sup> 3 feet (91cm) above - if within 10 feet (3m) horizontally



### 4" X 6-5/8" RIGID PIPE CROSS REFERENCE CHART

Components from different Manufacturers may not be mixed. Not All Rigid Pipe components are available directly from FPI.

Description	Simpson Direct Vent Pro®	Selkirk Direct Temp™	American Metal Products® Amerivent Direct	Metal-Fab™ Sure Seal	Security Secure- Vent®	ICC Excel Direct
6" Pipe Length-Galvanized	46DVA-06	4DT-6	N/A	4D6	SV4L6	TC-4DL6
6" Pipe Length-Black	46DVA-06B	4DT-6B	N/A	4D6B	SV4LB6	TC-4DL6B
7" Pipe Length-Galvanized	N/A	N/A	4D7	N/A	N/A	N/A
7" Pipe Length-Black	N/A	N/A	4D7B	N/A	N/A	N/A
9" Pipe Length-Galvanized	46DVA-09	4DT-9	N/A	N/A	N/A	TC-4DL9
9" Pipe Length-Black	46DVA-09B	4DT-9B	N/A	N/A	N/A	TC-4DL9B
12" Pipe Length-Galvanized	46DVA-12	4DT-12	4D12	4D12	SV4L12	TC-4DL1
12" Pipe Length-Black	46DVA-12B	4DT-12B	4D12B	4D12B	SV4LB12	TC-4DL1B
18" Pipe Length-Galvanized	46DVA-18	4DT-18	4D18	4D18	SV4LA	TC-4DL18
18" Pipe Length-Black	46DVA-18B	4DT-18B	4D18B	4D18B	SV4LA	TC-4DL18B
24" Pipe Length-Galvanized	46DVA-24	4DT-24	4D24	4D24	SV4L24	TC-4DL2
24" Pipe Length-Black	46DVA-24B	4DT-24B	4D24B	4D24B	SV4LB24	TC-4DL2B
36" Pipe Length-Galvanized	46DVA-36	4DT-36	4D36	4D36	SV4L36	TC-4DL3
36" Pipe Length-Black	46DVA-36B	4DT-36B	4D36B	4D36B	SV4LB36	TC-4DL3B
48" Pipe Length-Galvanized	46DVA-48	4DT-48	4D48	4D48	SV4L48	TC-4DL4
48" Pipe Length-Black	46DVA-48B	4DT-48B	4D48B	4D48B	SV4LB48	TC-4DL4B
60" Pipe Length-Galvanized	46DVA-60	4DT-60	N/A	N/A	N/A	N/A
60" Pipe Length-Black	46DVA-60B	4DT-60B	N/A	N/A	N/A	N/A
Adjustable Length 3"-10"-Galvanized	N/A	N/A	N/A	4DAL	N/A	TC-4DLT
Adjustable Length 3"-10"-Black	N/A	N/A	N/A	4DALB	N/A	TC-4DLTB
Adjustable Length 7"-Galvanized	N/A	N/A	4D7A	N/A	N/A	N/A
Adjustable Length 7"-Black	N/A	N/A	4D7AB	N/A	N/A	N/A
Extension Pipe 8-1/2"-Galvanized	46DVA-08A	N/A	N/A	N/A	N/A	N/A
Extension Pipe 8-1/2"-Black	46DVA-08AB	N/A	N/A	N/A	N/A	N/A
Adjustable Length 12"-Galvanized	N/A	N/A	4D12A	N/A	SV4LA12	TC-4dLSI
Adjustable Length 12"-Black	N/A	N/A	4D12A	N/A	SV4LBA12	TC-4dLSIB
Extension Pipe 16"-Galvanized	46DVA-16A	N/A	N/A	N/A	N/A	N/A
Extension Pipe 16"-Black	46DVA-16AB	N/A	N/A	N/A	N/A	N/A
45° Elbow-Galvanized	46DVA-E45	4DT-EL45	4D45L	N/A	N/A	TE-4DE45
45° Elbow-Black	46DVA-E45B	4DT-EL45B	4DT-EL45B	N/A	N/A	TE-4DE45B
45° Elbow Swivel-Galvanized	See 46DVA-E45	N/A	N/A	4D45L	SV4E45	N/A
45° Elbow Swivel-Black	See 46DVA-E45B	N/A	N/A	4D45LB	SV4EB45	N/A
90° Elbow-Galvanized	46DVA-E90	4DT-EL90S	4DT-EL90S	N/A	N/A	TE-4DE90
90° Elbow-Black	46DVA-E90B	4DT-EL90SB	4DT-EL90SB	N/A	SV4EBR90-1	TE-4DE90B
90° Elbow, Swivel-Galvanized	See 46DVA-E90	N/A	N/A	4D90L	SV4E90-1	N/A
90° Elbow, Swivel-Black	See 46DVA-E90B	N/A	N/A	4D90LB	SV4EB90-1	N/A
90° Starter Elbow, Swivel-Galvanized	N/A	N/A	N/A	4D90A	N/A	N/A
Adaptor*	N/A	N/A	N/A	4D90L	N/A	N/A
Ceiling Support	N/A	4DT-CS	4DSP	4DFSP	SV4SD	TM4-RDS
Cathedral Support Box	46DVA-CS	4DT-CSS	4DRSB	4DRS	SV4CSB	TM4-SDS
Wall Support/Band	46DVA-WS	4DT-WS/B	4DWS	4DWS	SV4BM	TM-SWS
Offset Support	46DVA-ES - N/A from FPI	4DT-OS	N/A	N/A	SV4SU	TM-SOS
Wall Thimble-Black	46DVA-WT	4DT-WT	4DWT	4DWT	SV4RSM	N/A
Wall Thimble Support/Ceiling Support	46DVA-DC	N/A	N/A	N/A	SV4PF	N/A
Firestop Spacer	46DVA-FS	4DT-FS	4DFSP	4DFS	SV4BF	TM-4CS
Trim Plate-Black	N/A	4DT-TP	4DFPB	4DcP	SV4LA	TM-4TP

Description	Simpson Direct Vent Pro®	Selkirk Direct Temp™	American Metal Products® Amerivent Direct	Metal-Fab™ Sure Seal	Security Secure- Vent®	ICC Excel Direct
Attic Insulation Shield 12"	46DVA-IS N/A @ FPI	N/A	4DAIS12	N/A	SV4RSA	N/A
Attic Insulation Shield - Cold Climates 36"	N/A	N/A	4DAIS12	N/A	N/A	TM-4AS

Basic Horizontal Termination Kit (A)	Disc.	4DT-HKA	4DHTK2	4DHTKA	SV-SHK	TM4-HTK
Horizontal Termination Kit (B)	46DVA-KHA (Changed Components)	4DT-HKB	4DHTK1	4DHTKB	SV-HK	TM4-HTK
Vertical Termination Kit	Disc.	4DT-VKC	4DHTK	4DHTK	SV-FK	N/A

High Wind Vertical Cap	46DVA-VCH	N/A	N/A	N/A	N/A	TM-4VT
High Wind Horizontal Cap	46DVA-HC	N/A	N/A	N/A	N/A	TM-4DHT
Horizontal Square Termination Cap	See 46DVA-HC	4DT-HHC	4DHC	4DHT	SV4CHC-1	TM-4HT
Vertical Termination Cap	46DVA-VC	4DT-HVC	4DVC	4DVT	SV4CGV-1	N/A
Storm Collar	46DVA-08A	4DT-SC	4DSC	4DSC	SV4FC	TM-SC

Adjustable Flashing 0/12-6/12	46DVA-F6	4DT-ST14	4D12S	4DST14	SV4STC14	TF-4FA
Adjustable Flashing 6/12-12/12	46DVA-FLA	4DT-ST36	4D36S	4DST36	SV4STC36	TF-4FB

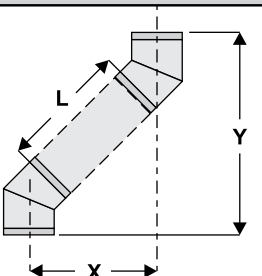
Vinyl Siding Standoff	46DVA-VSS	4DT-VS	N/A	4DVS	SV4VS	TM-VSS
Vinyl Siding Shield Plate	N/A	4DT-VSP	N/A	N/A	SV4VS	N/A

Snorkel Termination 14"	46DVA-SNKL	N/A	N/A	N/A	N/A	TM-4ST14
Snorkel Termination 36"	N/A	N/A	N/A	N/A	N/A	TM-4ST36

Restrictor Disk	N/A	N/A	N/A	N/A	N/A	TM-4DS
Extended Vertical Termination Cap	N/A	N/A	N/A	N/A	N/A	N/A
Chimney Conversion Kit A (USA only)	46DVA-KCA	N/A	N/A	N/A	N/A	TM-4CA6
Chimney Conversion Kit B (USA only)	46DVA-KCB	N/A	N/A	N/A	N/A	TM-4CA7
Chimney Conversion Kit C (USA only)	46DVA-KCC	N/A	N/A	N/A	N/A	TM-4CA8
Chimney Conversion Kit Masonry (USA only)	46DVA-KMC	N/A	N/A	N/A	N/A	N/A
Wall Firestop	46DVA-WFS	N/A	N/A	N/A	N/A	TM-4TR
Colinear Flex Connectors	46DVA-ADF	N/A	N/A	N/A	N/A	N/A

FPI			
946-506/P	Vent Guard (Optional) for AstroCap	946-205	Vinyl Siding Shield for Riser Vent Terminal
510-994	Rigid Pipe Adaptor (Must use with all rigid piping)	946-208/P	Vent Guard (Optional) for Riser Vent Terminal
640-530/P	Riser Vent Terminal	946-523/P	AstroCap Horizontal Cap
946-605	Starter Collar Increaser 4" x 6-5/8" to 5" x 8"	946-206	Vinyl Siding Standoff for AstroCap

**Note:** When using Metal-Fab Sure Seal Rigid Piping - please note that the Adaptor (4DDA) must be used in conjunction with FPI Rigid Pipe Adaptor (510-994).

Offset Pipe Selection: Use this table to determine offset pipe lengths.				
Pipe Length (L)	4" x 6-5/8" Venting			For specific instructions on venting components - visit the manufacturers website listed below. Simpson Direct Vent Pro: <a href="http://www.duravent.com">www.duravent.com</a> Selkirk Direct-Temp: <a href="http://www.selkirkcorp.com">www.selkirkcorp.com</a> American Metal Products: <a href="http://www.americanmetalproducts.com">www.americanmetalproducts.com</a> Metal-Fab Sure Seal: <a href="http://www.mtfab.com">www.mtfab.com</a> Security Secure Vent: <a href="http://www.securitychimneys.com">www.securitychimneys.com</a> Industrial Chimney Company: <a href="http://www.icc-rsf.com">www.icc-rsf.com</a>
	Run (X)	Rise (Y)		
0" (0mm)	4-7/8" (124mm)	13-7/8" (340mm)		
6" (152mm)	8" (203mm)	16-1/2" (419mm)		
9" (229mm)	10-1/8" (257mm)	18-5/8" (473mm)		
12" (305mm)	12-1/4" (311mm)	20-3/4" (527mm)		
24" (610mm)	20-5/8" (524mm)	29-1/8" (740mm)		
36" (914mm)	29" (737mm)	37-1/2" (953mm)		
48" (1219mm)	37-7/16" (951mm)	45-15/16" (1167mm)		

**Note:** Horizontal runs of vent must be level, or have a 1/4" rise for every 1 foot of run towards the termination. Never allow the vent to run downward - this could cause high temperatures and may present a possible fire hazard.

## VENTING INTRODUCTION

The HZ42STE uses the "balanced flue" technology Co Axial system. The inner liner vents products of combustion to the outside while the outer liner draws outside combustion air into the combustion chamber thereby eliminating the need to use heated room air for combustion and losing warm room air up the chimney.

**Note:** These flue pipes must not be connected to any other appliance.

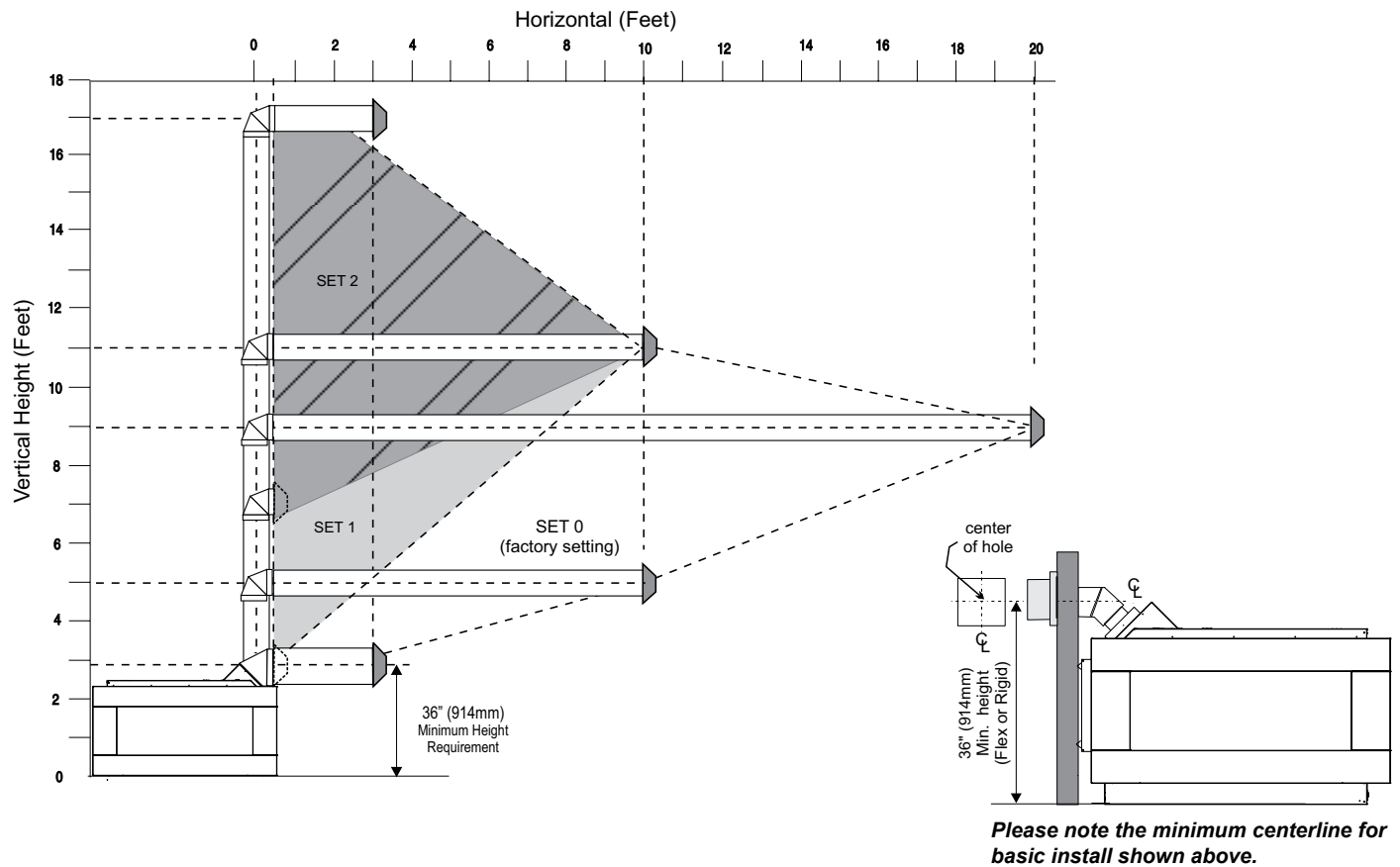
The gas appliance and vent system must be vented directly to the outside of the building, and never be attached to a chimney serving a separate solid fuel or gas burning appliance. Each direct vent gas appliance must use its own separate vent system. Common vent systems are prohibited.

## VENTING ARRANGEMENTS

### ALLOWABLE HORIZONTAL TERMINATIONS FOR HZ42 ST

The diagram shows all allowable combinations of vertical runs with horizontal terminations, using one 45° and one 90° (two 45° elbows equal to one 90°) for direct horizontal runs with horizontal termination use only one 45° elbow.

**Note:** Must use optional rigid pipe adapter (Part# 510-994) when using Rigid Pipe Venting Systems.



#### VENT RESTRICTOR SETTING:

**Vent restrictor factory set, no adjustment required unless otherwise indicated.**

Refer to the "Vent Restrictor Position" section for details on how to change the vent restrictor from the factory setting of Set 0 to Set 1 or Set 2 if required.

**Note:** Regency® Direct Vent System (Flex) is only approved for horizontal terminations.

- Maintain clearances to combustibles as listed in "Clearances" section
- Horizontal vent must be supported every 3 feet.
- Firestops are required at each floor level and whenever passing through a wall.
- A wall thimble is mandatory for all horizontal terminations due to high temperatures.
- Flex system can only be used up to 10 feet - otherwise rigid venting must be used.

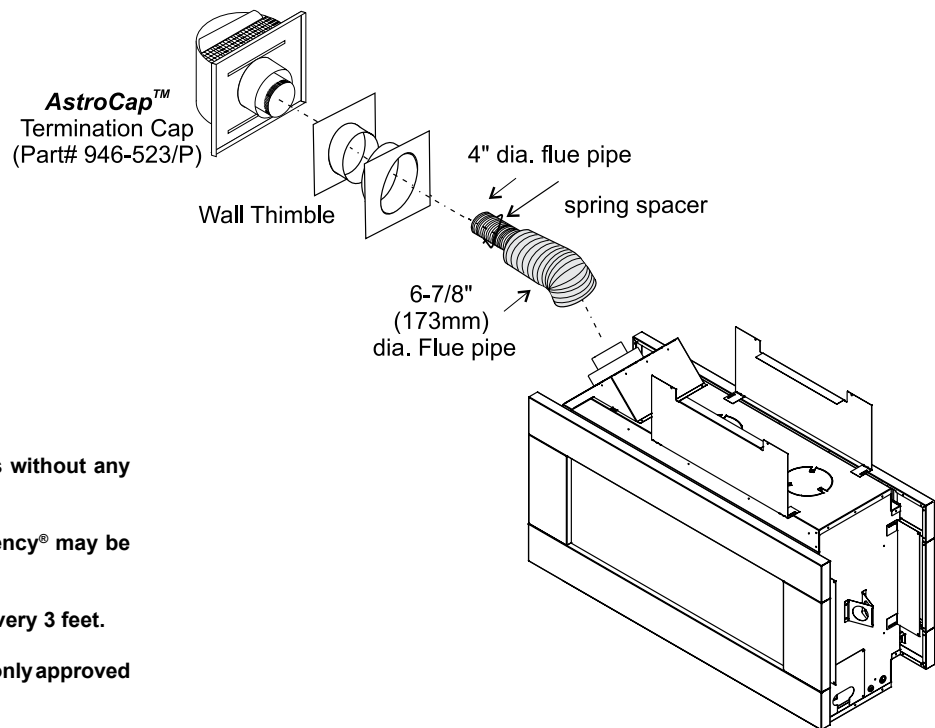
## HORIZONTAL TERMINATIONS

### FLEX VENT 4" X 6-5/8"

These venting systems, in combination with the HZ42STE Direct Vent Gas Fireplace, has been tested and listed as a direct vent heater system by Warnock Hersey/ Intertek. The location of the termination cap must conform to the requirements in the Vent Terminal Locations diagram in "Exterior Vent Termination Locations" section.

Regency® Direct Vent (Flex) System Termination Kits includes all the parts needed to install the HZ42 using a flexible vent.

FPI Kit #	Length	Contains:
#946-513	2 Feet	1) 6-5/8" flexible outer liner (Kit length) 2) 4" flexible inner liner (Kit length) 3) spring spacers 4) thimble
#946-515	4 Feet	5) <b>AstroCap</b> termination cap 6) screws 7) tube of Mill Pac
#946-516	10 Feet	8) plated screws 9) S.S. screws #8 x 1-1/2" drill point



**Notes:**

- 1) Liner sections should be continuous without any joints or seams.
- 2) Only Flex pipe purchased from Regency® may be used for Flex installations
- 3) Horizontal vent must be supported every 3 feet.
- 4) Regency® Direct Vent System (Flex) is only approved for horizontal terminations.
- 5) Flex system can only be used up to a maximum continuous vent length of up to 10 feet. If longer runs are required, rigid pipe must be used.

## RIGID/FLEX PIPE VENTING SYSTEMS

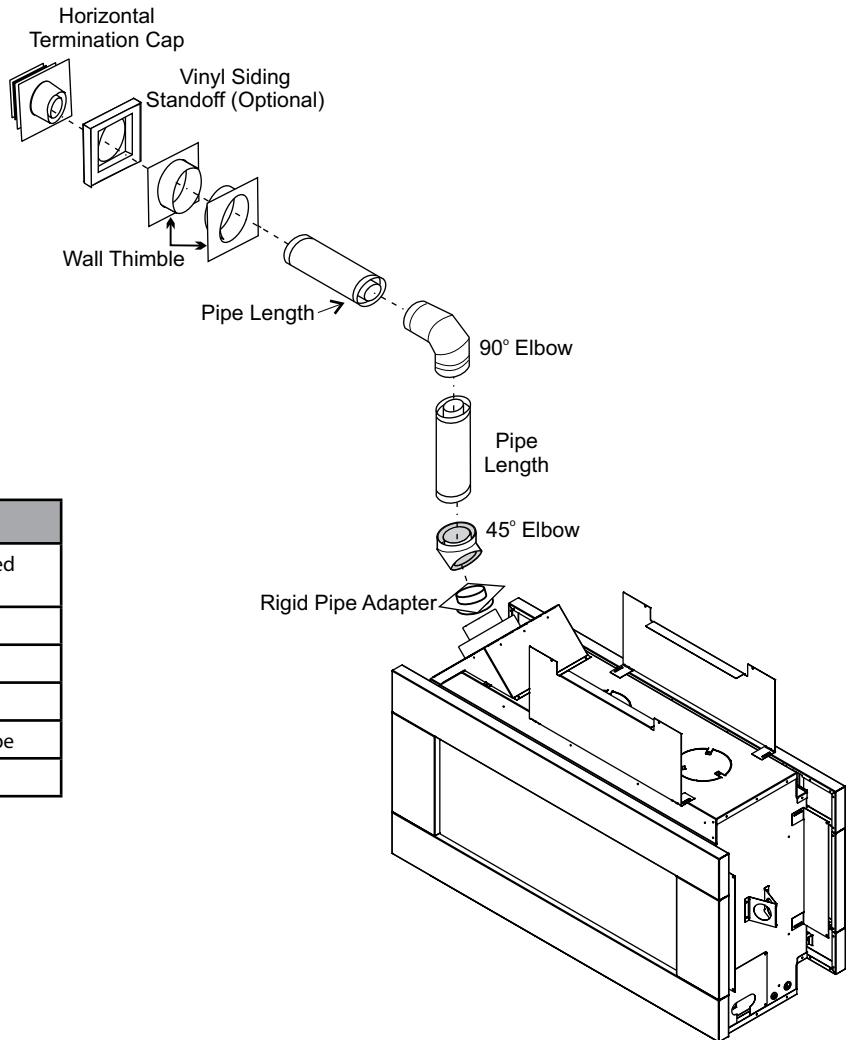
### Horizontal or Vertical Terminations

The minimum components required for a basic horizontal termination are:

- 1 Simpson Duravent Adaptor
- 1 Horizontal Termination Cap
- 1 45° Elbow
- 1 Rigid Pipe Adaptor
- 1 Wall Thimble
- 1 Length of pipe to suit wall thickness (see chart)

Wall thickness is measured from the back standoffs to the inside mounting surface of termination cap. For siding other than vinyl furring strips may be used, instead of the vinyl siding standoff, to create a level surface to mount the vent terminal. The Terminal must not be recessed into siding. Measure the wall thickness including furring strips.

If a Vinyl Siding Standoff is required (it must be used with vinyl siding), measure to outside surface of wall without siding and add 2 inches.



Flat Wall Installation	
Wall Thickness (inches)	Vent Length Required (inches)
4" - 5-1/2"	6"
7" - 8-1/2"	9"
10" - 11-1/2"	12"
9" - 14-1/2'	11" - 14-5/8" Adj. Pipe
15" - 23-1/2"	17" - 24" Adj. Pipe

**WARNING:**

Do not combine venting components from different venting systems.

However use of the the AstroCap™ and FPI Riser is acceptable with all systems.

This product has been evaluated by Intertek for using a Rigid Pipe Adaptor in conjunction with Duravent Direct-Vent, Selkirk Direct-Temp, Ameri Vent Direct, ICC Excel, MetaFab venting and Security Secure Vent systems. Use of these systems with the Rigid Pipe adaptor is deemed acceptable and does not affect the Intertek WHI listing of components.

**When using Rigid Vent other than Simpson Dura-Vent, 3 screws must be used to secure rigid pipe to adaptor.**

The FPI AstroCap™ and FPI Riser Vent terminal are certified for installations using FPI venting systems as well as Simpson Dura-Vent® Direct Vent, American Metal Products Ameri Vent Direct Vent, ICC Excel, MetaFab, Security Secure Vent®, Selkirk Direct-Temp. AstroCap™ is a proprietary trademark of FPI Fireplace Products International Ltd. Dura-Vent® and Direct Vent are registered and/or proprietary trademarks of Simpson Dura-Vent Co. Inc.

## HORIZONTAL TERMINATIONS

### RIGID PIPE 4" X 6-5/8"

The diagrams below shows examples of horizontal termination arrangements using one, two, or three 90° elbows (two 45° elbows equal one 90° elbow)

1) A maximum of three 90° elbows are permitted (not including the starting 45° elbow at the flue collar when using rigid venting).

2) Minimum distance between elbows is 1 ft. (305mm).

- Maintain clearances to combustibles as listed in the "Clearances" section.
- Horizontal vent must be supported every 3 feet.
- Firestops are required at each floor level and whenever passing through a wall.
- Must use optional rigid pipe adaptor (Part# 510-994) when using rigid pipe vent systems.
- A vent guard should be used whenever the termination is lower than the specified minimum or as per local codes.
- Flex system can only be used up to 10 feet - otherwise rigid venting must be used.

#### Horizontal Venting with Two (2) 90° Elbows

One 90° elbow = Two 45° elbows.

Option	V	H + H1	With these options, maximum total pipe length is 30 feet with minimum of 6 feet total vertical and maximum 8 feet total horizontal.  <i>Please note minimum 1 foot between 90° elbows is required.</i>
A)	1' Min.	3' Max.	
B)	2' Min.	4' Max.	
C)	3' Min.	5' Max.	
D)	4' Min.	6' Max.	
F)	6' Min.	8' Max.	

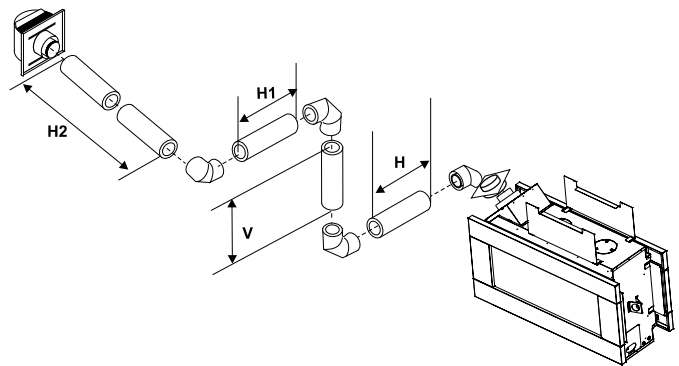
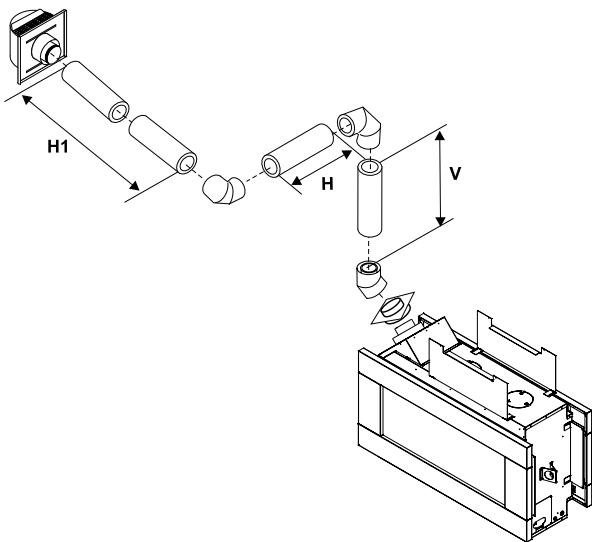
Restrictor Position - Set 0 (factory setting)

#### Horizontal Venting with Three (3) 90° Elbows

One 90° elbow = Two 45° elbows.

Option	H	V	H+H1+H2	With these options, maximum total pipe length is 30 feet with minimum of 11 feet total vertical and maximum 9 feet total horizontal.  <i>Please note minimum 1 foot between 90° elbows is required.</i>
A)	1' Max.	1' Min.	3' Max.	
B)	2' Max.	3' Min.	5' Max.	
C)	3' Max.	5' Min.	6' Max.	
D)	4' Max.	7' Min.	7' Max.	
F)	6' Max.	11' Min.	9' Max.	

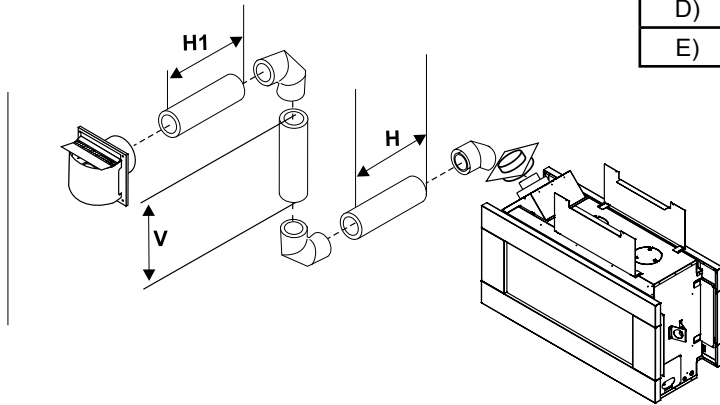
Restrictor Position - Set 0 (factory setting)



Horizontal Venting with Two (2) 90° Elbows

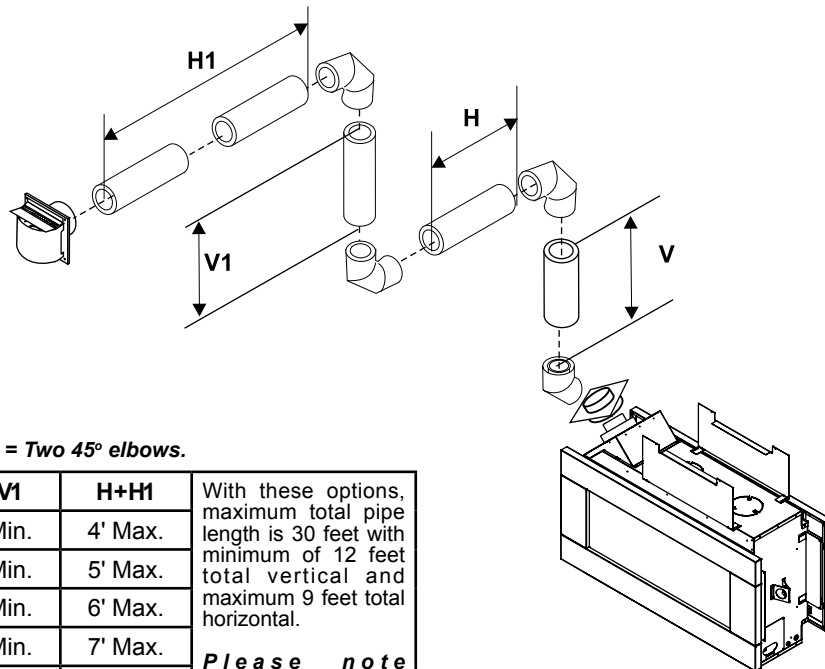
One 90° elbow = Two 45° elbows.

Option	H	V	H+H1	With these options, maximum total pipe length is 30 feet with minimum of 8 feet total vertical and maximum 8 feet total horizontal.  <b>Please note minimum 1 foot between 90° elbows is required.</b>
A)	1' Max.	1' Min.	3' Max.	
B)	2' Max.	2' Min.	5' Max.	
C)	3' Max.	4' Min.	6' Max.	
D)	4' Max.	6' Min.	7' Max.	
E)	5' Max.	8' Min.	8' Max.	



Restrictor Position - Set 0 (factory setting)

Horizontal Venting with Three (3) 90° Elbows



One 90° elbow = Two 45° elbows.

Option	V	H	V+V1	H+H1	With these options, maximum total pipe length is 30 feet with minimum of 12 feet total vertical and maximum 9 feet total horizontal.  <b>Please note minimum 1 foot between 90° elbows is required.</b>
A)	2' Min.	1' Max.	3' Min.	4' Max.	
B)	3' Min.	2' Max.	4' Min.	5' Max.	
C)	4' Min.	3' Max.	6' Min.	6' Max.	
D)	5' Min.	4' Max.	8' Min.	7' Max.	
E)	6' Min.	5' Max.	10' Min.	8' Max.	
F)	7' Min.	6' Max.	12' Min.	9' Max.	

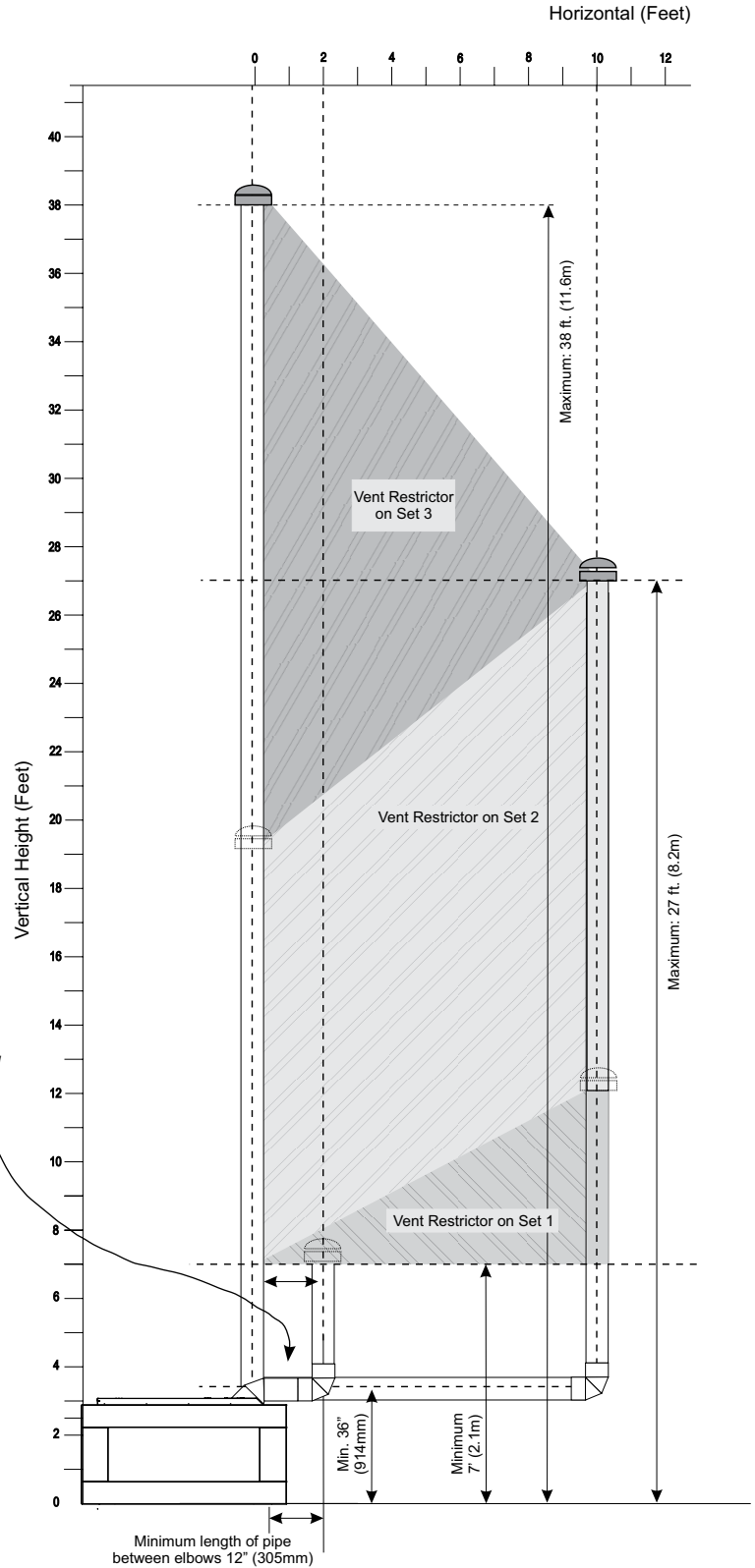
Restrictor Position - Set 0 (factory setting)



## VENTING ARRANGEMENT FOR VERTICAL TERMINATIONS

The shaded area in the diagram shows all allowable combinations of straight vertical and offset to vertical terminations, using one 90° elbows, with **Rigid**

**Pipe Venting Systems** for Natural Gas. Two 45° elbows equal to one 90° elbow. Maximum of two 45° elbows allowed, not including the starting 45° off the collar.



- Vent must be supported at offsets.
- Firestops are required at each floor level and whenever passing through a wall.
- Maintain clearances to combustibles as listed in the "Clearances" section.
- Refer to the "Vent Restrictor Position" section for details on how to change the vent restrictor from Set 0 (factory setting) to Set 1 to Set 2 or Set 3 if required.

**Note:** Must use optional flue adaptor when using Rigid Pipe (Part # 510-994).

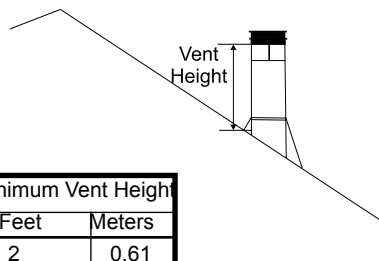
## VERTICAL TERMINATIONS

### RIGID PIPE 4" X 6-5/8"

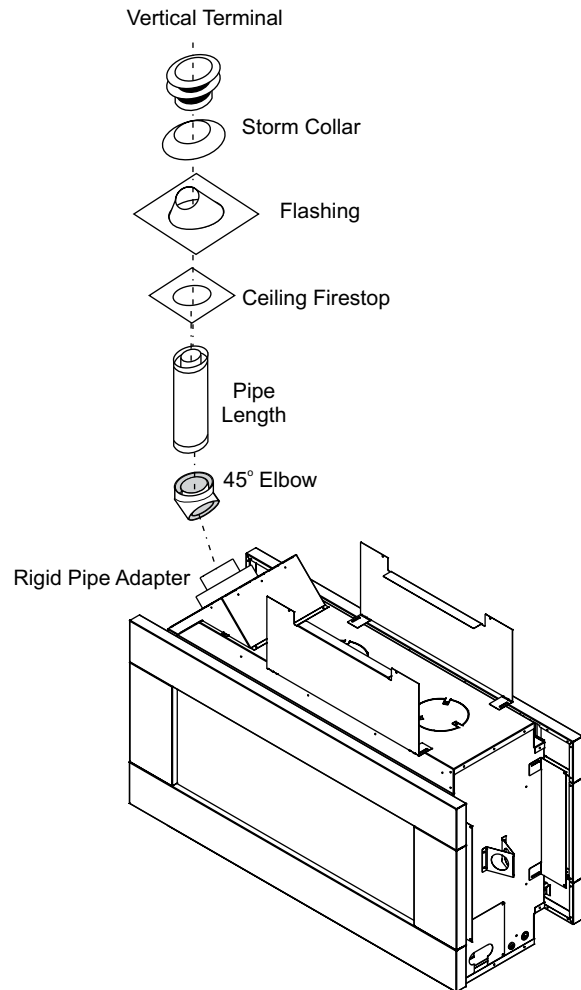
The minimum components required for a basic vertical termination are:

- 1 Vertical Termination Cap
- 1 45° Elbow
- 1 Rigid Pipe Adaptor (510-994)
- 1 Ceiling Firestop
- 1 Flashing
- 1 Storm Collar
- 1 Length of pipe to suit wall thickness (see chart)

Galvanized pipe is desirable above the roofline due to its higher corrosion resistance. Continue to add pipe sections through the flashing until the height of the vent cap meets the minimum height requirements specified in Dia. 4 or local codes. Note that for steep roof pitches, the vertical height must be increased. A poor draft, or down drafting can result from high wind conditions near big trees or adjoining roof lines, in these cases, increasing the vent height may solve the problem.



Roof Pitch	Minimum Vent Height	
	Feet	Meters
flat to 7/12	2	0.61
over 7/12 to 8/12	2	0.61
over 8/12 to 9/12	2	0.61
over 9/12 to 10/12	2.5	0.76
over 10/12 to 11/12	3.25	0.99
over 11/12 to 12/12	4	1.22
over 12/12 to 14/12	5	1.52
over 14/12 to 16/12	6	1.83
over 16/12 to 18/12	7	2.13
over 18/12 to 20/12	7.5	2.29
over 20/12 to 21/12	8	2.44



**WARNING:**

Do not combine venting components from different venting systems.

However use of the the AstroCap™ and FPI Riser is acceptable with all systems.

This product has been evaluated by Intertek for using a Rigid Pipe Adaptor in conjunction with DuraVent Direct-Vent, Selkirk Direct-Temp, Ameri Vent Direct Venting, ICC Excel Direct and Security Secure Vent systems. Use of these systems with the Rigid Pipe adaptor is deemed acceptable and does not affect the Intertek WHI listing of components.

**When using Rigid Vent other than Simpson Dura-Vent, 3 screws must be used to secure rigid pipe to adaptor.**

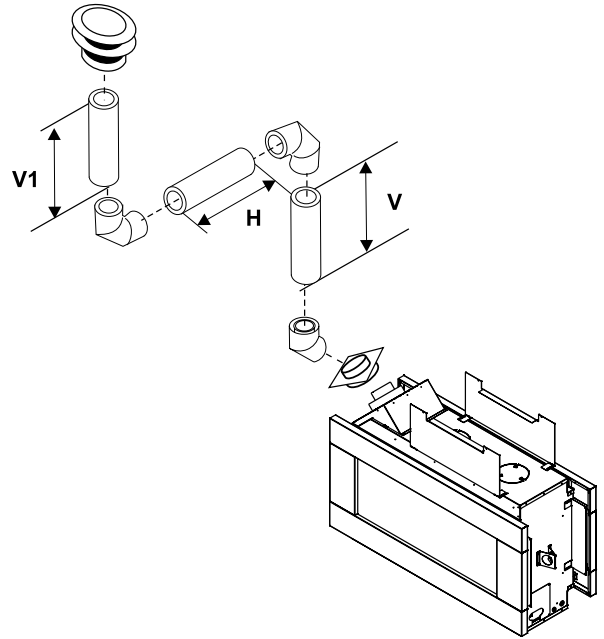
The FPI AstroCap™ and FPI Riser Vent terminal are certified for installations using FPI venting systems as well as Simpson Dura-Vent® Direct Vent, American Metal Products Ameri Vent Direct Vent, Security Secure Vent®, ICC Excel, Selkirk Direct-Temp. AstroCap™ is a proprietary trademark of FPI Fireplace Products International Ltd. Dura-Vent® and Direct Vent are registered and/or proprietary trademarks of Simpson Dura-Vent Co. Inc.

## VERTICAL TERMINATIONS

### RIGID PIPE 4" X 6-5/8"

- Two 45° elbows equal to one 90° elbow. Maximum of four 45° elbows allowed, not including the starting 45° elbow at the flue collar.
- Vent must be supported at offsets.
- Minimum distance between elbows is 1 ft. (305mm).
- Maintain clearances to combustibles as listed in the "Clearances" section.
- Horizontal vent must be supported every 3 feet.
- Firestops are required at each floor level and whenever passing through a wall.
- Must use optional rigid pipe adaptor (Part# 510-994) when using rigid pipe vent systems.

#### Vertical Venting with Two (2) 90° Elbows



One 90° elbow = Two 45° elbows.

Option	V	H	V+V1	With these options, maximum total pipe length is 30 feet with minimum of 6 feet total vertical and maximum 8 feet total horizontal.  <i>Please note minimum 1 foot between 90° elbows is required.</i>
A)	1' Min.	4' Max.	2' Min.	
B)	2' Min.	5' Max.	3' Min.	
C)	3' Min.	6' Max.	4' Min.	
D)	4' Min.	7' Max.	5' Min.	
E)	5' Min.	8' Max.	6' Min.	

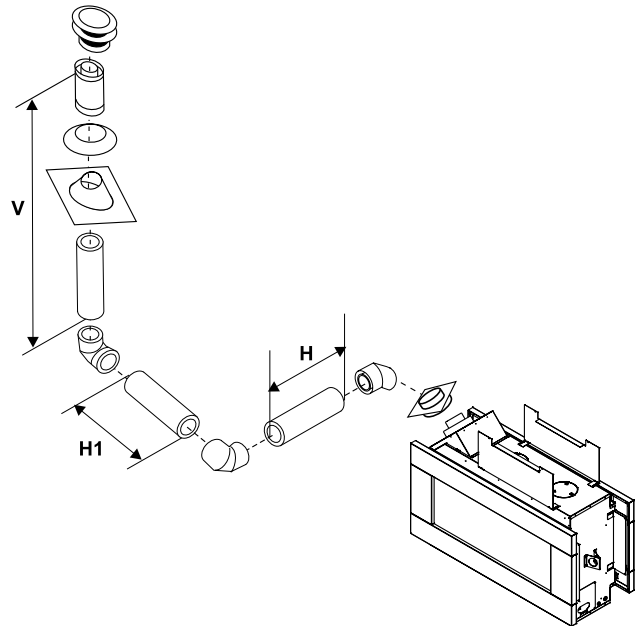
Restrictor Position - Set 0 (factory setting)

#### Vertical Venting with Two (2) 90° Elbows

One 90° elbow = Two 45° elbows.

Option	H + H1	V	With these options, maximum total pipe length is 30 feet with minimum of 6 feet total vertical and maximum 6 feet total horizontal.  <i>Please note minimum 1 foot between 90° elbows is required.</i>
A)	2' Max.	2' Min.	
B)	3' Max.	3' Min.	
C)	4' Max.	4' Min.	
D)	5' Max.	5' Min.	
E)	6' Max.	6' Min.	

Restrictor Position - Set 0 (factory setting)



For additional vertical venting with 2 x 90° elbows, refer to "Rigid Pipe Venting Arrangements" Section.

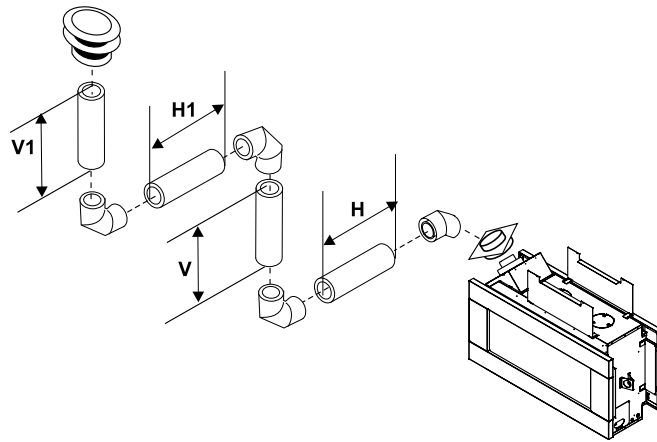
### Vertical Venting with Three (3) 90° Elbows

One 90° elbow = Two 45° elbows.

Option	H	V	H + H1	V + V1
A)	1' Max.	1' Min.	3' Max.	3' Min.
B)	2' Max.	2' Min.	4' Max.	5' Min.
C)	3' Max.	3' Min.	5' Max.	7' Min.
D)	4' Max.	4' Min.	6' Max.	9' Min.
E)	5' Max.	5' Min.	7' Max.	11' Min.

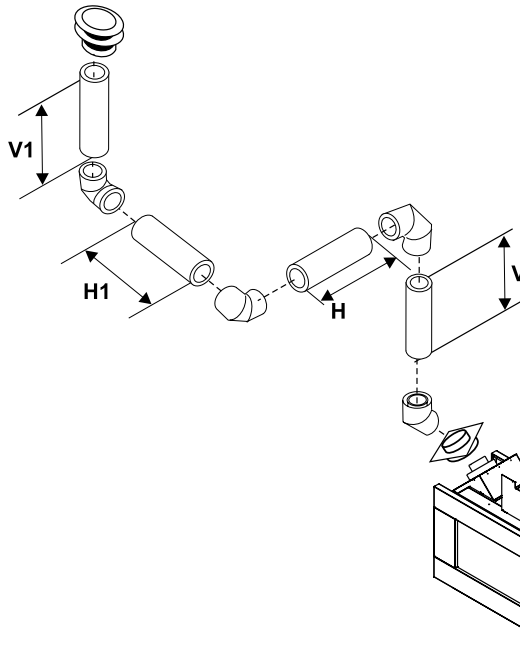
With these options, max. total pipe length is 30 feet with min. of 11 feet total vertical and max. 7 feet total horizontal.  
**Please note min. 1 foot between 90° elbows is required.**

Restrictor Position - Set 0 (factory setting)



### Vertical Venting with Three (3) 90° Elbows

One 90° elbow = Two 45° elbows.



Option	V	H + H1	V + V1
A)	2' Min.	3' Max.	4' Min.
B)	3' Min.	4' Max.	6' Min.
C)	4' Min.	5' Max.	7' Min.
D)	5' Min.	6' Max.	8' Min.
E)	6' Min.	7' Max.	9' Min.
F)	7' Min.	8' Max.	10' Min.

With these options, max. total pipe length is 30 feet with min. of 10 feet total vertical and max. 8 feet total horizontal.  
**Please note min. 1 foot between 90° elbows is required.**

Restrictor Position - Set 0 (factory setting)

## UNIT INSTALLATION WITH HORIZONTAL TERMINATION

4" X 6-5/8"

VENTING

(Rigid Vent Systems)

### Minimum Vent Clearances to Combustibles

\* Clearances noted below must be maintained; except when passing through a wall, ceiling or at the termination where the use of a firestop or wall thimble reduces clearance to 1-1/2" (38mm).

Horizontal Top*	3" (76mm)*
Horizontal Side	2" (51mm)
Horizontal Bottom	2" (51mm)
Vertical Vent	2" (51mm)

Below are the recommended framing dimensions (inside measurements) for the 4" x 6-5/8" rigid vent terminations - for use with a firestop or wall thimble.

Recommended Framed Opening Size	
Vent Size	Framing Size
4" x 6 - 5/8"	10" x 10"

Install the vent system according to the manufacturer's instructions included with the components.

- 1) Set the unit in its desired location. Check to determine if wall studs or roof rafters are in the way when the venting system is attached. If this is the case, you may want to adjust the location of the unit. Rough in the gas preferably on the right side of the unit and the electrical (junction block is on the left side) on the left.
- 2) Direct Vent pipe and fittings are designed with special twist-lock connections to connect the venting system to the appliance flue outlet. A twist-lock appliance adaptor is required.
- 3) In conjunction with the Approved Vent system, install the adaptor after the unit is set in its desired location. Put a bead of high temperature silicone inside the outer section of the adaptor and a bead of Mill Pack on the inner collar. Slip the adaptor over the existing inner and outer flue collar. Fasten to the outer collar only with the 3 supplied screws (drilling pilot holes will make this easier).
- 4) Level the fireplace and fasten it to the framing using nails or screws through the top and side nailing strips.

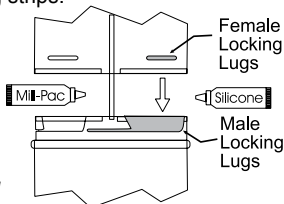


Diagram 1

- 5) Assemble the desired combination of pipe and elbows to the appliance adaptor and twist-lock for a solid connection.

**Note:** For best results and optimum performance with each approved venting system, it is highly recommended to apply "Mill-Pac" sealant (supplied) to every inner pipe connection. Failure to do so may result in drafting or performance issues not covered under warranty.

**Horizontal runs of vent must be supported every 3 feet (0.9meter). Wall straps are available for this purpose.**

- 6) Mark the wall for a square hole.-see chart to left for size. The center of the square hole should line up with the center-line of the horizontal pipe. Cut and frame the square hole in the exterior wall where the vent will be terminated. See diagram 2 for center line requirements.

If the wall being penetrated is constructed of non-combustible material, i.e. masonry block or concrete, an 8" (203mm) diameter hole is acceptable.

**Note:**

- a) The horizontal run of vent must be level, or have a 1/4 inch rise for every 1 foot of run towards the termination. Never allow the vent to run downward. This could cause high temperatures and may present the possibility of a fire.
- b) The location of the horizontal vent termination on an exterior wall must meet all local and national building codes, and must not be blocked or obstructed. See "Exterior Vent Termination Locations" section for more details.

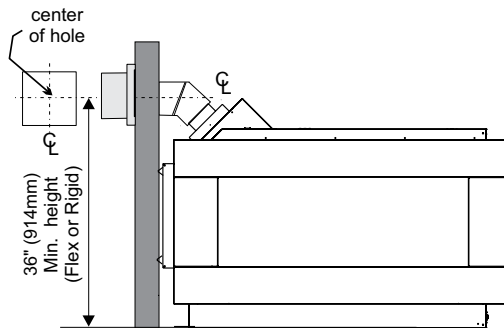


Diagram 2

- 7) Ensure that the pipe clearances to combustible materials are maintained (Diagram 5). Install the termination cap.

**Note:** If installing termination on a vinyl siding covered wall, a vinyl siding standoff or furring strips must be used to ensure that the termination is not recessed into the siding.

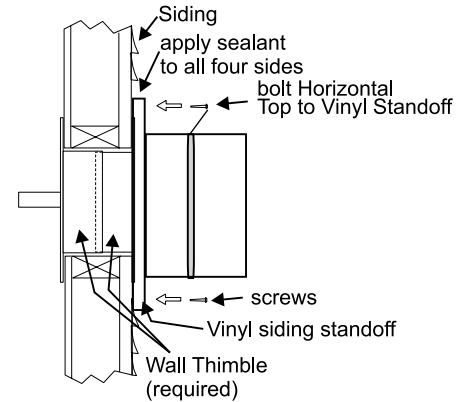


Diagram 3

The four wood screws provided should be replaced with appropriate fasteners for stucco, brick, concrete, or other types of sidings.

- 8) Before connecting the horizontal run of vent pipe to the vent termination, slide the Wall Thimble over the vent pipe. The wall thimble is required for all horizontal terminations.
- 9) Slide the appliance and vent assembly towards the wall carefully inserting the vent pipe into the vent cap assembly. It is important that the vent pipe extends into the vent cap sufficient distance so as to result in a minimum pipe overlap of 1-1/4 inches (32mm). Secure the connection between the vent pipe and the vent cap.
- 10) Install wall thimble in the center of the framed hole and attach with wood screws (Diagram 7).

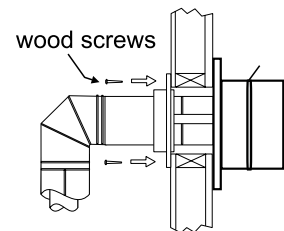


Diagram 4

## UNIT INSTALLATION WITH HORIZONTAL TERMINATION

4" X 6-5/8"

### VENTING

(Flex Vent Systems)

### Minimum Vent Clearances to Combustibles

\* Clearances noted below must be maintained; except when passing through a wall, ceiling or at the termination where the use of a firestop or wall thimble reduces clearance to 1-1/2" (38mm).

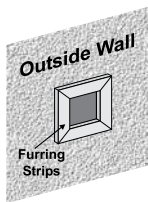
Horizontal Top*	3" (76mm)*
Horizontal Side	2" (51mm)
Horizontal Bottom	2" (51mm)
Vertical Vent	2" (51mm)

Below are the recommended framing dimensions (inside measurements) for the 4" x 6-5/8" and 5" x 8" rigid vent terminations - for use with a firestop or wall thimble.

Recommended Framed Opening Size	
Vent Size	Framing Size
4" x 6 - 5/8"	10" x 10"

- 1) Locate the unit in the framing, rough in the gas (preferably on the right side of the unit). Locate the centerline of the termination and mark wall accordingly. Cut an square hole in the wall - see chart (inside dimension).

**Note:** If installing termination on a siding covered wall, a vinyl siding standoff or vinyl furring strips must be used to ensure that the termination is not recessed into the siding.



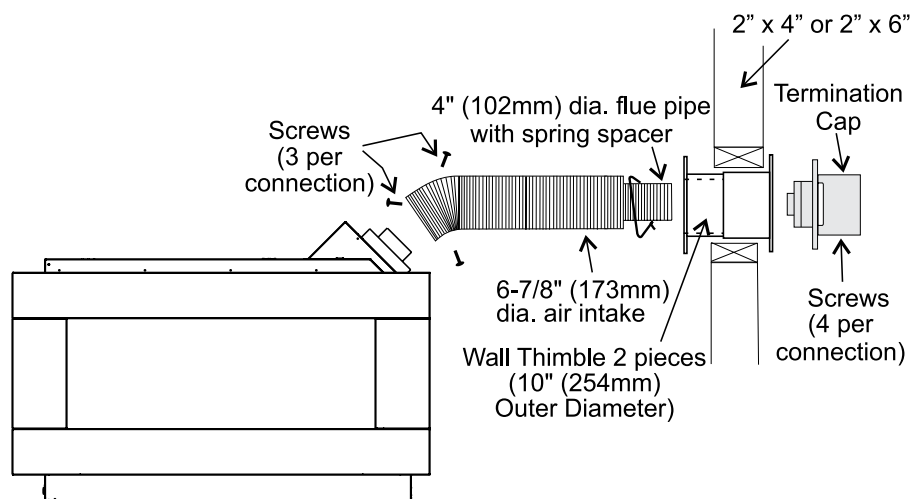
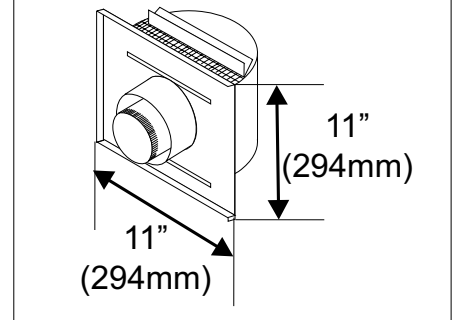
- 2) Level the fireplace and fasten it to the framing using nails or screws through the nailing strips.
- 3) Assemble the vent assembly by applying Mill Pac to the inner flue collar of the termination and slipping the inner flex liner over it at least 1-3/8" (35mm). Fasten with the 3 screws (drilling pilot holes will make this easier). Apply Mill Pac or high temperature silicone to the outer flex pipe and slip it over the outer flue collar of the vent terminal at least 1-3/8"(35mm) and fasten with the 3 screws.

**NOTE:** Horizontal sections must be supported at intervals not exceeding 3 feet (0.9 meter). (Flame picture and performance will be affected by sags in the liner).

- 4) Separate the 2 halves of the wall thimble and securely fasten the one with the tabs to the outside wall making sure that the tabs are on top and bottom. Fasten the other thimble half to the inside wall. The thimble halves slip inside each other and can be adjusted for 2 x 4 or 2 x 6 walls.
- 5) Slip the assembled liner and termination assembly through the thimble making sure the termination cap faces up (there are markings on the cap to show which way is up). This will position the termination cap with proper down slope for draining water. Fasten the cap to the outer wall with the 4 supplied screws.
- 6) Pull the centre inner and outer flex liner out enough to slip over the flue collars of the fireplace. (You may wish to cut the liner shorter to make it more workable.) Do not bend liner more than 90°. **The liners must slip over the collars a minimum of 1-3/8".**
- 7) Apply Mill Pac over the fireplace inner flue collar and slip the inner flex liner down over it and attach with 3 supplied screws.
- 8) Do the same with the outer flue collar and outer flex liner.
- 9) Apply a bead of silicone between the thimble and termination and around the outer edge of the terminal at the wall in order to keep the water out.

**IMPORTANT:** Do not locate termination hood where excessive snow or ice buildup may occur. Be sure to check vent termination area after snow falls, and clear to prevent accidental blockage of venting system. When using snow blowers, make sure snow is not directed towards vent termination area.

### ASTROCAP DIMENSIONS (946-523/P)



## UNIT INSTALLATION WITH VERTICAL TERMINATION

### 4" X 6-5/8" VENTING

(Rigid Vent Systems)

1) Maintain the 1-1/2" clearances (air spaces) to combustibles when passing through ceilings, walls, roofs, enclosures, attic rafter, or other nearby combustible surfaces. Do not pack air spaces with insulation. Check "Venting" Sections for the maximum vertical rise of the venting system and the maximum horizontal offset limitations.

2) Set the gas appliance in its desired location. Drop a plumb bob down from the ceiling to the position of the appliance flue exit, and mark the location where the vent will penetrate the ceiling. Drill a small hole at this point. Next, drop a plumb bob from the roof to the hole previously drilled in the ceiling, and mark the spot where the vent will penetrate the roof.

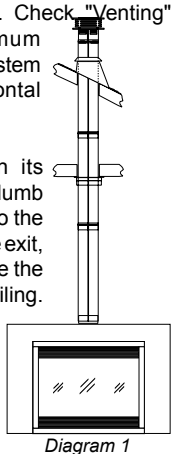


Diagram 1

3) A Firestop spacer must be installed in the floor or ceiling of every level. To install the Firestop spacer in a flat ceiling or wall, cut a 10 inch square hole. Frame the hole as shown in Diagram 2 and install the firestop.

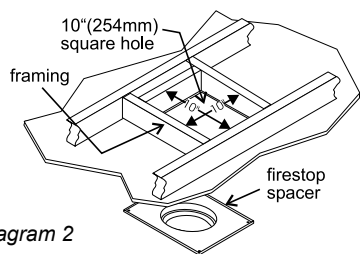
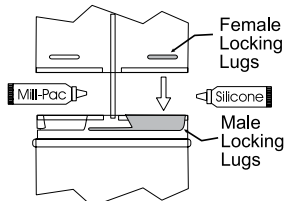


Diagram 2

**Note: All vertical terminations are vented using 4" x 6-5/8" venting and rigid pipe adaptor #510-994.**

4) Assemble the desired lengths of pipe and elbows. Ensure that all pipes and elbow connections are in the fully twist-locked position and sealed.



**NOTE: For best results and optimum performance with each approved venting system, it is highly recommended to apply "Mill-Pac" sealant (supplied) to every inner pipe connection. Failure to do so may result in drafting or performance issues not covered under warranty.**

5) Cut a hole in the roof centered on the small drilled hole placed in the roof in Step 2. The hole should be of sufficient size to meet the minimum requirements for clearance to combustibles of 1-1/2". Slip the flashing under the shingles (shingles should overlap half the flashing) as per Diagram 3.

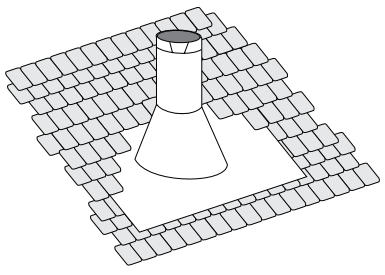


Diagram 3: The upper half of the flashing is installed under the roofing material and not nailed down until the chimney is installed. This allows for small adjustments.

6) Continue to assemble pipe lengths.

**Note: If an offset is necessary in the attic to avoid obstructions, it is important to support the vent pipe every 3 feet, to avoid excessive stress on the elbows, and possible separation. Wall straps are available for this purpose.**

Galvanized pipe is desirable above the roofline due to its higher corrosion resistance. Continue to add pipe sections through the flashing until the height of the vent cap meets the minimum height requirements specified in Dia. 4 or local codes. Note that for steep roof pitches, the vertical height must be increased. A poor draft, or down drafting can result from high wind conditions near big trees or adjoining roof lines, in these cases, increasing the vent height may solve the problem.

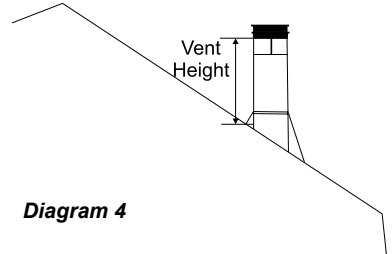


Diagram 4

Roof Pitch	Minimum Vent Height	
	Feet	Meters
flat to 7/12	2	0.61
over 7/12 to 8/12	2	0.61
over 8/12 to 9/12	2	0.61
over 9/12 to 10/12	2.5	0.76
over 10/12 to 11/12	3.25	0.99
over 11/12 to 12/12	4	1.22
over 12/12 to 14/12	5	1.52
over 14/12 to 16/12	6	1.83
over 16/12 to 18/12	7	2.13
over 18/12 to 20/12	7.5	2.29
over 20/12 to 21/12	8	2.44

7) Ensure vent is vertical and secure the base of the flashing to the roof with roofing nails, slide storm collar over the pipe section and seal with a mastic.

8) Install the vertical termination cap by twist-locking it.

*Note: Any closets or storage spaces, which the vent passes through must be enclosed.*



HZ42STE-NG10 SYSTEM DATA	
Min. Supply Pressure	5" WC (1.25 kpa)
Low Setting Man. Pressure	1.6" WC (0.40kpa)
Max. Manifold Pressure	3.5" WC (0.87 kpa)
Orifice Size	#40 DMS
Minimum Input	17,500 Btu/h (5.13 kW)
Maximum Input	26,000 Btu/h (7.62 kW)

HZ42STE LP10 SYSTEM DATA	
Min. Supply Pressure	12" WC (2.98 kpa)
Low Setting Man. Pressure	6.4" WC (1.59kpa)
Max. Manifold Pressure	10" WC (2.49 kpa)
Orifice Size	#53 DMS
Minimum Input	19,500 Btu/h (5.71 kW)
Maximum Input	24,500 Btu/h (7.18 kW)

## HIGH ELEVATION

This unit is approved for altitude 0 to 4500 ft. (CAN1 2.17-M91).

## GAS LINE INSTALLATION

Since some municipalities have additional local codes it is always best to consult with your local authorities and the CAN/CGA B149 installation code.

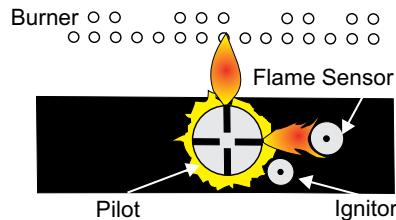
For USA installations follow local codes and/or the current National Fuel Gas Code, ANSI Z223.1.

When using copper or flex connectors use only approved fittings. Always provide a union so that gas lines can be easily disconnected for servicing. Flare nuts for copper lines and flex connectors are usually considered to meet this requirement.

**NOTE: A shutoff / dante valve should be supplied in or near the unit (or as per local codes) for ease of servicing this appliance.**

**IMPORTANT: Always check for gas leaks with a soap and water solution or gas leak detector. Do not use open flame for leak testing.**

## PILOT ADJUSTMENT



Periodically check the pilot flames. Correct flame pattern has three strong blue flames: 1 flowing around the thermopile, 1 around the thermocouple and 1 flowing across the burner.

**Note: If you have an incorrect flame pattern, contact your Regency® dealer for further instructions.**

Incorrect flame pattern will have small, probably yellow flames, not coming into proper contact with the burner or thermopile or thermocouple.

## GAS PIPE PRESSURE TESTING

The appliance must be isolated from the gas supply piping system by closing its individual manual shut-off valve during any pressure testing of the gas supply piping system at test pressures equal to or less than 1/2 psig. (3.45 kPa). Disconnect piping from valve at pressures over 1/2 psig.

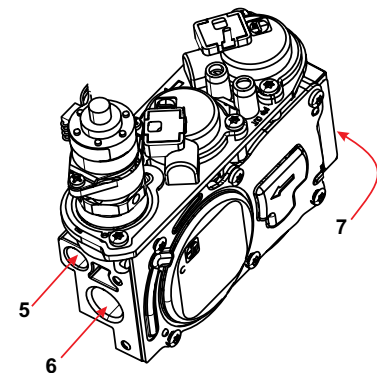
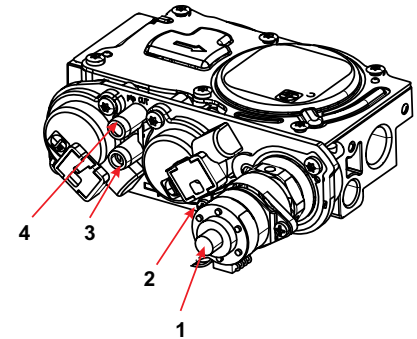
The manifold pressure is controlled by a regulator built into the gas control, and should be checked at the pressure test point.

**Note: To properly check gas pressure, both inlet and manifold pressures should be checked using the valve pressure ports on the valve.**

- 1) Make sure the valve is in the "OFF" position.
- 2) Loosen the "IN" and/or "OUT" pressure tap(s), turning counterclockwise with a 1/8" wide flat screwdriver.
- 3) Attach manometer to "IN" and/or "OUT" pressure tap(s) using a 5/16" ID hose.
- 4) Light the pilot and turn the valve to "ON" position.
- 5) The pressure check should be carried out with the unit burning and the setting should be within the limits specified on the safety label.
- 6) When finished reading manometer, turn off the gas valve, disconnect the hose and tighten the screw (clockwise) with a 1/8" flat screwdriver. **Note: Screw should be snug, but do not over tighten.**

## 885 S.I.T. VALVE DESCRIPTION

- 1) 6 Stage flame adjustment
- 2) Pilot adjustment
- 3) Outlet Pressure Tap
- 4) Inlet Pressure Tap
- 5) Pilot Outlet
- 6) Main Gas Outlet
- 7) Main Gas Inlet



## AERATION ADJUSTMENT

The burner aeration is factory set but may need adjusting due to either the local gas supply or altitude. Open the air shutter for a blue flame or close for a more yellow flame.

### Minimum Air Shutter Opening:

NG	Fully Closed
LP	3/16"

### With Logs:

NG	1/4"
LP	Full open

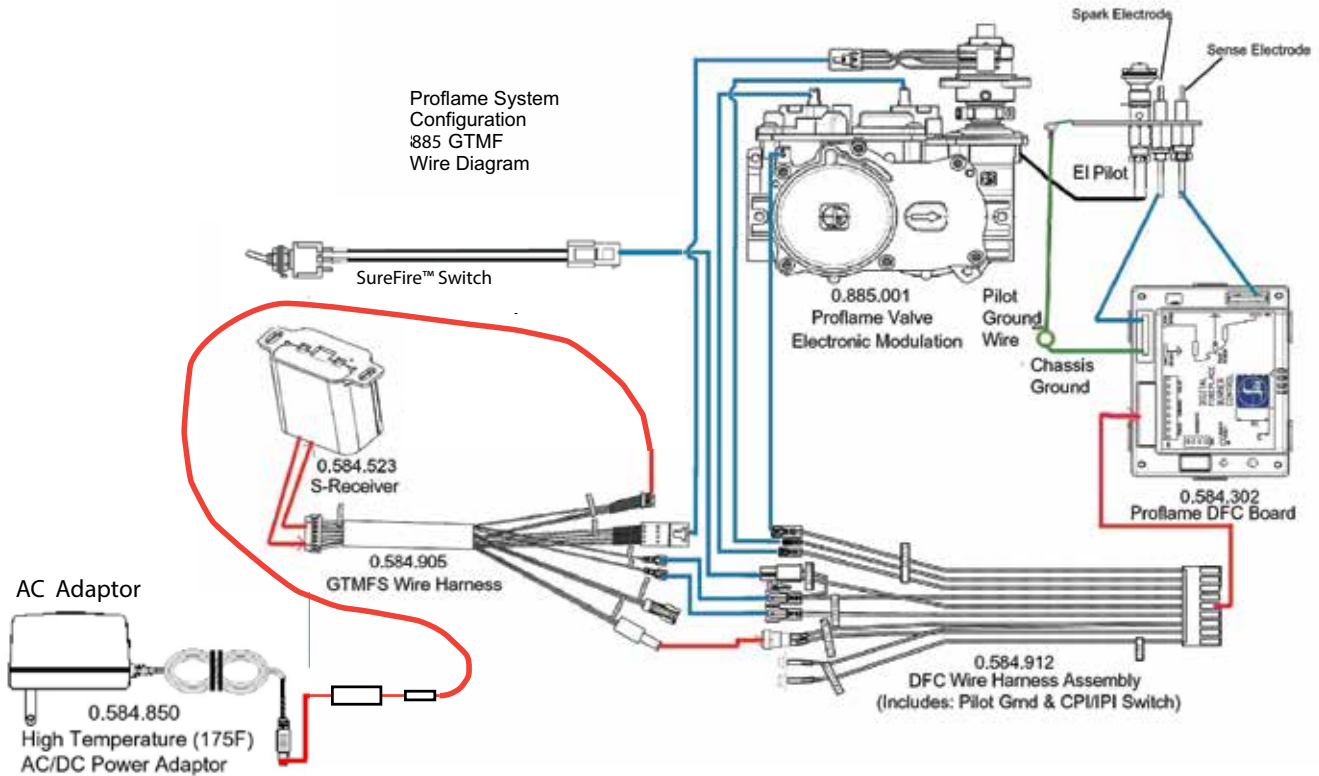
**Note: Any damage due to carboning resulting from improperly setting the aeration controls is NOT covered under warranty.**



**WIRING DIAGRAM**

This heater does not require a 120V A.C. supply for operation but it is highly recommended to install the supplied AC adaptor to eliminate the need for batteries. In case of a power failure, the remote control will continue to operate if batteries are installed in the receiver.. However, a 120V A.C. power supply is needed for the AC adaptor.

**(Do not cut the ground terminal off under any circumstances.)**



**Caution: Ensure that the wires do not touch any hot surfaces and are away from sharp edges.**

**CAUTION: Label all wires prior to disconnection when servicing controls. Wiring errors can cause improper and dangerous operation.**

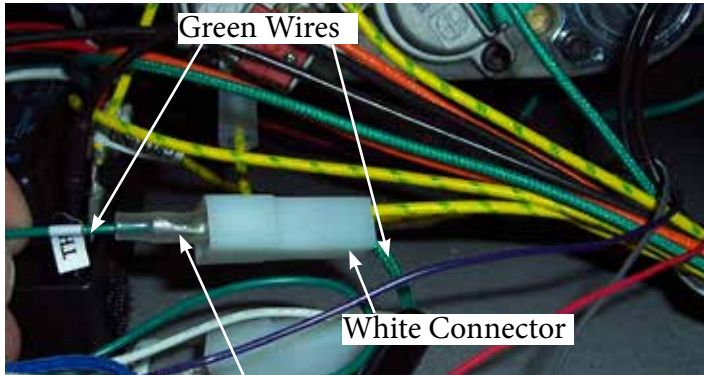
## OPTIONAL WALL THERMOSTAT INSTALLATION

This installation must be completed during initial install with the front access panel removed.

A wall thermostat may be installed if desired.

Recommended: The wall thermostat should be mounted beside the Remote/Unit Receiver which comes standard with the appliance.

- 1) Run wires from thermostat into the unit.
- 2) Remove the green wire marked (TH) at the white connector-shown below. The noted wires will be located near the gas valve.



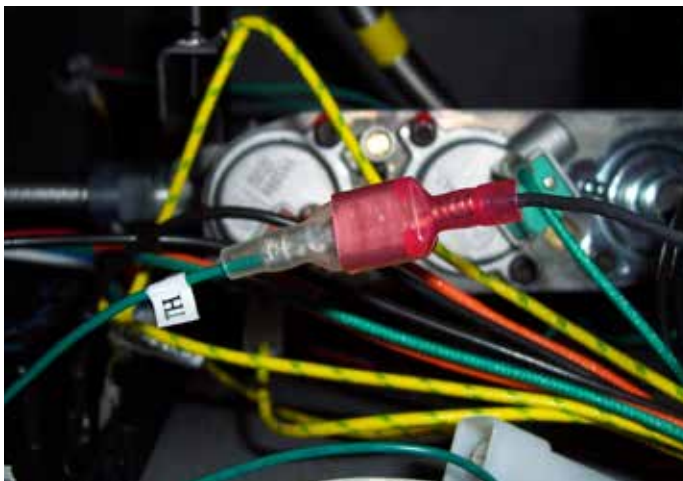
**CAUTION**  
Do not wire  
Thermostat wires  
to 120V wire.

- 4) Connect the other thermostat lead to male connector disconnected from Step 1 using a female spade connector - see picture below.



When complete turn remote receiver to the ON position.  
Unit will now operate using the wall thermostat.

- 3) Connect one thermostat lead to female connector, using male spade connector - see picture below.



NOTE: When the remote receiver is set to ON position, the remote control transmitter and all of its features are now disabled.

### AC POWER ADAPTOR INSTALLATION (FOR SUREFIRE SYSTEMS)

An AC power adaptor is supplied with this appliance and may be installed as a constant power source for the SureFire system.  
**NOTE:** AC power adaptor is not required when using GTMF Remote with fan control module and must be disconnected.

**IMPORTANT:** Recommend removing the 4-AA batteries in the SureFire receiver.

This will avoid battery leakage and power drainage. 4-AA Battery pack may be re-installed into receiver during power outages.



Wire adaptor

AC adaptor

1. Plug AC adaptor into a 120V wall outlet or into the 120V receptacle if installed inside the gas fireplace.
2. Tuck any loose wires neatly underneath the firebox—inside the fireplace.

**Note:** Ensure that wires do not touch the underside of the fire box (Keep wires away from heat as much as possible).

### OPTIONAL WALL THERMOSTAT

A wall thermostat may be installed if desired, connect the wires as per the wiring diagram. Use table below to determine the maximum wire length.

**Note:** Preferable if the thermostat is installed on an interior wall.

Regency® offers an optional programmable thermostat but any 250-750 millivolt rated non-anticipator type thermostat that is CSA, ULC or UL approved may be used.

Thermostat Wire Table	
Recommended Maximum Lead Length (Two-Wire) When Using Wall Thermostat (CP-2 System)	
Wire Size	Max. Length
14 GA.	50 Ft.
16 GA.	32 Ft.
18 GA.	20 Ft.
20 GA.	12 Ft.
22 GA.	9 Ft.

**CAUTION**  
**Do not wire millivolt  
 wall thermostat wires  
 to 120V wire.**

## OPTIONAL REFLECTIVE PANEL INSTALLATION

Black Enamel Panels
<ul style="list-style-type: none"> <li>Black Enamel panels must be inspected for scratches and dimples prior to installation. All claims to be recorded at this time. Claims for damage after installation will not receive consideration.</li> </ul>
<ul style="list-style-type: none"> <li>Black Enamel panels will discolor a little during normal operation. This is normal and should not be considered a defect.</li> </ul>
<p><b>*</b> All hand and finger marks <b>MUST</b> be cleaned off with a soft cloth. Use an ammonia based cleaner (ie. glass cleaner) to remove any fingerprints before applying heat to the unit.  <b>Failure to do this will result in burn stain on panels which you will be unable to remove.</b> Not protected by product warranty.</p>

1) Remove the faceplate and glass door if already installed - see manual for instructions.

**Note:** Only one glass door needs to be removed - not both.

2) Remove the top deflector - located on the inside top of the unit - by removing 4 screws - as shown below.

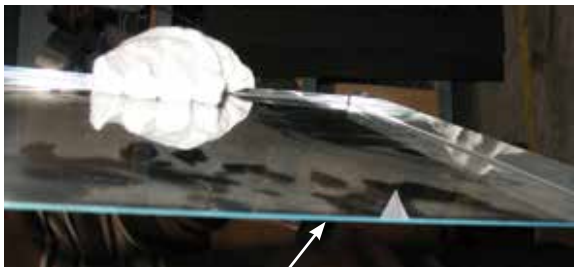


3) Loosen screw securing the panel clip located in the middle of the side panel - inside the firebox.

The screw is on the top inside of the firebox.



4) Orient the panel with the folds facing the wall of the firebox. The thin unfolded edge should be facing down towards the floor of the firebox.



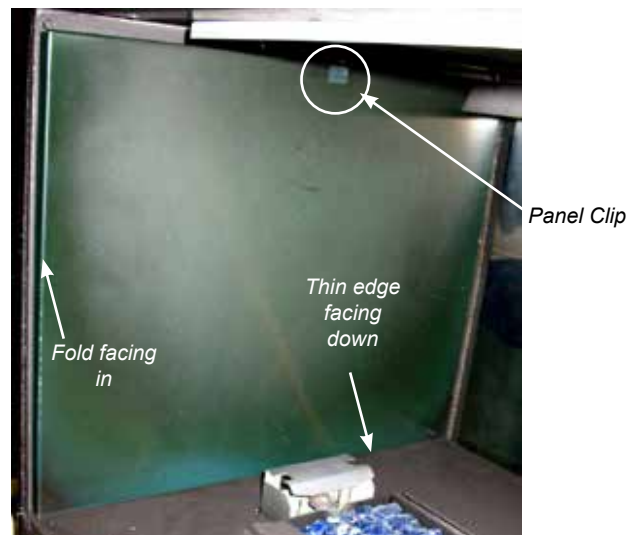
*Thin edge faces downward*

5) Slide the panel in between the side wall of the firebox and the panel clip - adhere to all handling instructions.



6) With panel in position - retighten screw to secure panel clip.

7) Repeat steps 3-5 on opposite side.



8) Reverse step 2 and 1.



## GLASS CRYSTALS OR OPTIONAL STONES INSTALLATION

Spread the Glass Crystals or Stones evenly over the burner. Ensure the crystals/stones do not overlap excessively as this will affect the flame pattern.

**IMPORTANT NOTE:**

Only the supplied approved Glass Crystals and Stones are to be used with these fireplaces. Use of any other type of glass crystals or stones can alter the unit's performance. Any damage caused by the use of any unapproved glass or stones will not be covered under warranty.

When using Ceramic Spa/Volcanic Stones ensure required glass crystals/beads are used as a base. **DO NOT** overstack Ceramic Spa Stones or Volcanic Stones on burner or in the pilot area.

BURNER PACKAGES			
Unit	*Glass Crystals	Fire Beads	Stones - Spa / Ceramic / Volcanic
HZ42STE	2lbs	3lbs	1.5 lb Glass + 30 Ceramic Stones or 1.5 lb Glass + 25 Volcanic Stones 2 lb Beads + 30 Ceramic Stones or 2 lb Bead + 25 Volcanic Stones
<b>NOTE:</b> * Glass Crystals are not supplied with the unit. Must purchase separately - see quantities above			

### OPTIONAL PEBBLES / GLASS CRYSTAL INSTALLATION FOR FIREBOX BASE (AROUND BURNER)

There are 2 optional packages to choose from to cover the firebox base:

- 1) Natural River Pebbles
- 2) Glass Crystals (4 colors available)

Spread the pebbles / crystals evenly on the exposed base of the firebox. Pebbles are **NOT** to be placed anywhere on the burner or over top of the Glass Crystals or optional Stones.

**IMPORTANT NOTE:** Only the supplied and approved pebbles / glass crystals are to be used with these fireplaces. Use of any other type of pebbles, glass crystals or other material can create a danger and will void the warranty.

Firebox (Around Burner) Packages			
Unit	Glass Crystals	Fire Beads	Pebbles
HZ42STE	5 lbs	5 lbs	2 packages (6 x bags pebbles)



Glass Crystals shown surrounding the Burner



Natural River Pebbles shown surrounding the Horizon Burner



Optional Volcanic Stones + Glass Crystals shown on burner.

## OPTIONAL LOG SET INSTALLATION

Read the instructions below carefully and refer to the images. If the logs are broken do not use the unit until they are replaced. Broken logs can interfere with pilot operation.

Improper positioning of the logs and lava embers may create carbon build-up and can alter the unit's performance which is not covered under warranty.

\*Satin paint is included if touch ups are required.

1	Front Left Log (front side)
2	Front Left Log (back side)
3	Cross Log (front side)
4	Cross Log with 'Y' (front side)
5	Cross Log (back side)
6	Cross Log with 'Y' (back side)
7	Log piece (front side)
8	Log piece (back side)
	Lava Embers / Rocks



Diagram 1

1. Shut off gas and electrical supply, allow unit to cool to room temperature.
2. Remove both faceplates and flush glass doors (see unit manual).
3. Carefully remove the logs from the packaging and unwrap them. The logs are fragile, handle with care - never force into position.
4. Ensure glass crystals are installed on the burner.  
HZ42STE = 2lbs
5. Locate and install paper templates on both sides of firebox base as shown below.



Diagram 2

Front and back paper templates in position

Logs installed on one side of the unit are mirrored on the opposite side and therefore installed in the exact same manner. Below is an overview of the completed install.



Diagram 3

6. Install Log 1 on the far left side of the front of the unit - use the template to determine position of Log . Repeat on the back side of the unit with Log 2.



Diagram 4

7. Assemble Logs 3 + 4 as shown below. Match up pin landing on Log 3 with pin on Log 4. The other part of the 'Y' of Log 4 should rest on the notch in Log 3 as shown below.

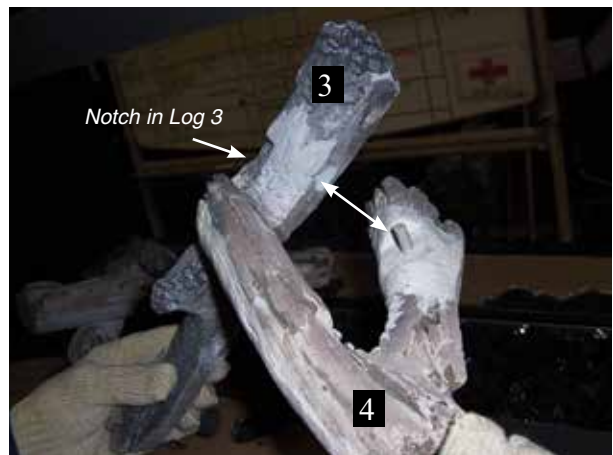


Diagram 5

## 44 | installation

8. Install on burner, use template to determine the final position



Diagram 6

9. Repeat the procedures in Steps 7 and 8 to assemble and install Logs 5 + 6 on the other side of the unit

10. Install Log 7 - line up pin locator with pin on Log 3 as shown below. Line up other end of Log 7 with template.

11. Install Log 8 - line up pin locator with pin on Log 5. Line up other end of Log 8 with template.



Diagram 7

12. Place lava embers/rocks on glass - ensure rocks do not block pilot. Do not place lava rocks/embers too close to logs as this may cause carboning.
13. Carefully remove paper templates.
14. Adjust aeration, see unit manual for setting.
15. Reverse Steps 2 and 1.



HZ42STE - Final Install

Diagram 8

## GLASS DOOR INSTALLATION

The **glass door** comes with a black frame.

1) To install the frame and glass door, simply hook the top door flange onto the top of the unit and swing the door towards the unit, Diagram 1.

**Note:** Be careful that the glass gasket does not roll up; there must be a gap between the gasket and the door lip to ensure that the door sits securely on the unit. See Diagram 2.

2) With the door in proper position - secure with 3 screws in locations shown in Diagram 3.

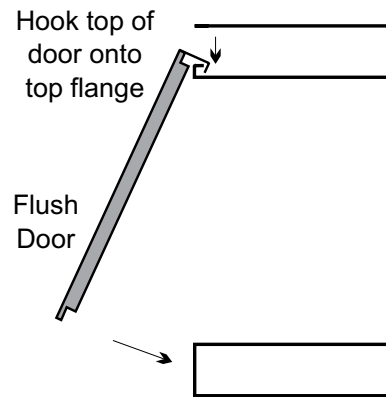
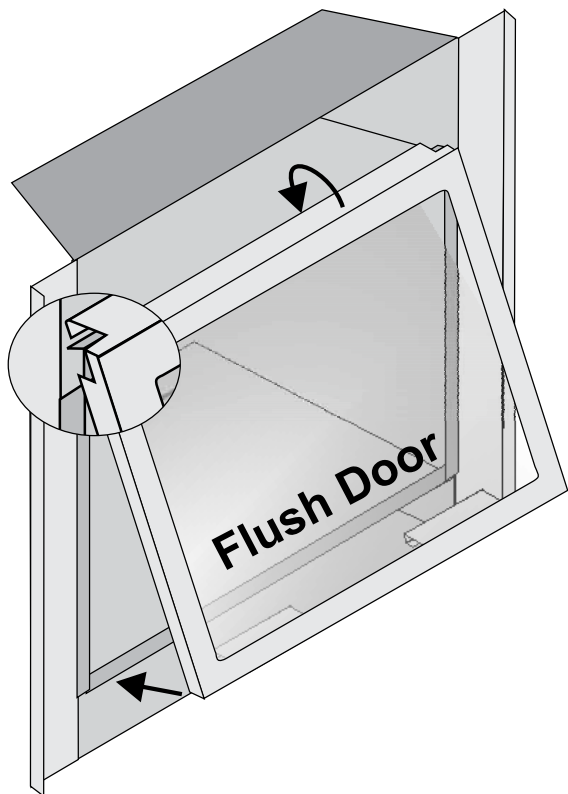


Diagram 1

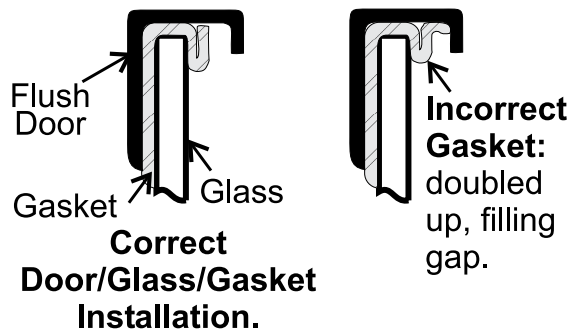


Diagram 2

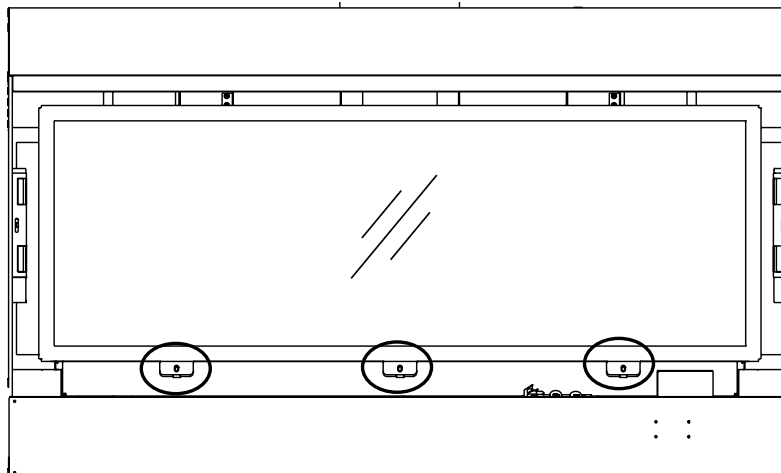
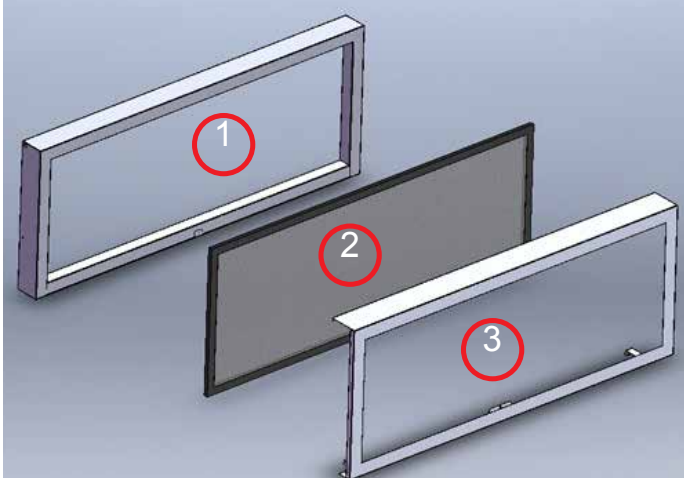


Diagram 3

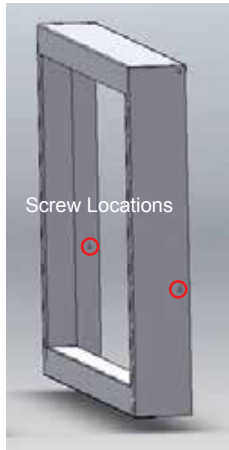


**SAFETY SCREEN/ INNER DOOR FRAME REMOVAL/INSTALLATION**

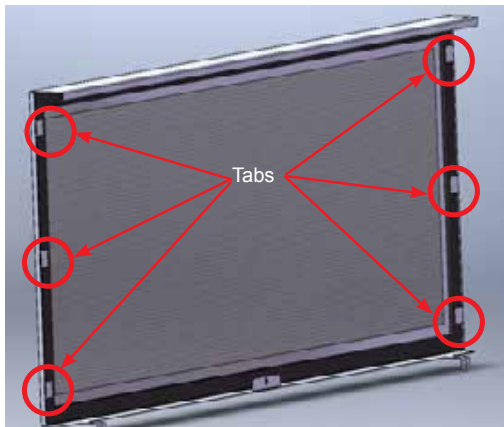
1. The inner door trim (1) and safety screen (2) come attached to the fireplace. Remove the inner door trim (held by magnets) and safety screen by pulling the bottom of the trim towards you as one, then lift up.



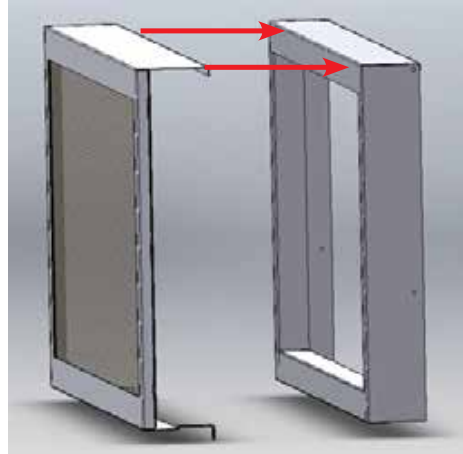
2. Remove screws from inner side of the inner door trim and discard screws and the brackets. (Brackets not shown). Remove the screen mesh from inner door trim.



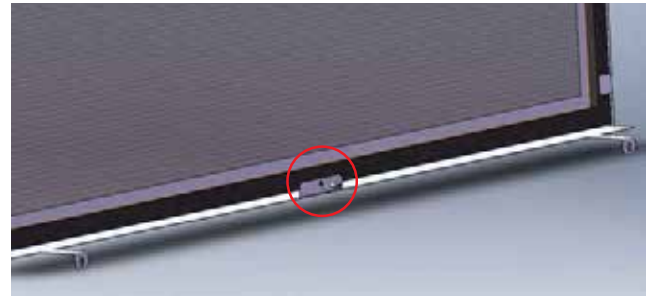
3. Install screen into inner door frame - secure safety screen by bending in 6 tabs in locations shown below.



4. Hook the outer door frame (3) and safety screen assembly (2) over the inner door trim.

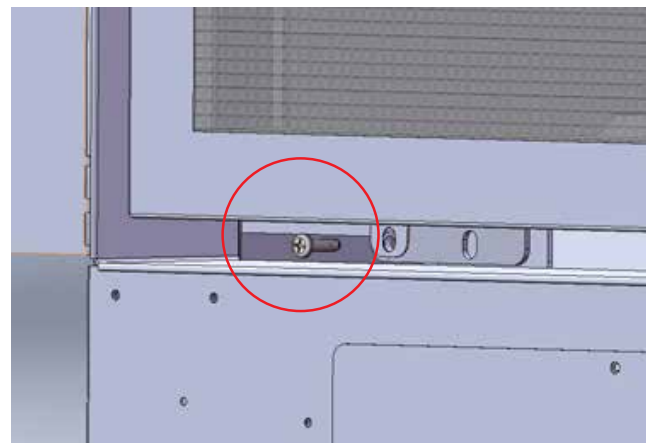


5. Bend the center tab up and secure with a screw to attach the outer frame/safety screen assembly to the inner door trim



6. Attach completed assembly to the glass door on unit.

7. Secure the assembly with 1 screw on each side.

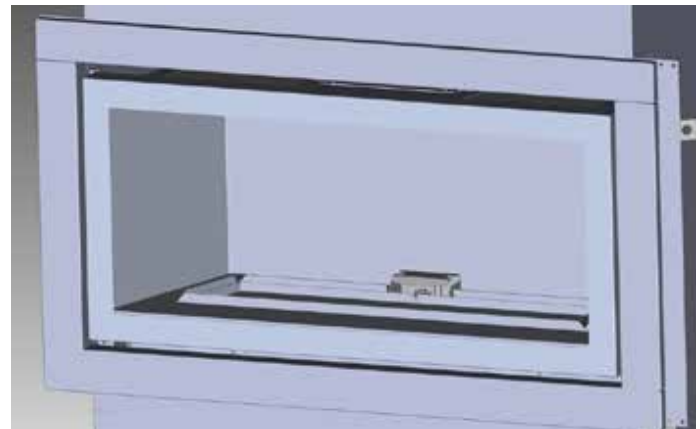
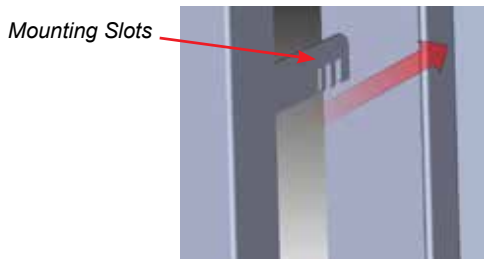
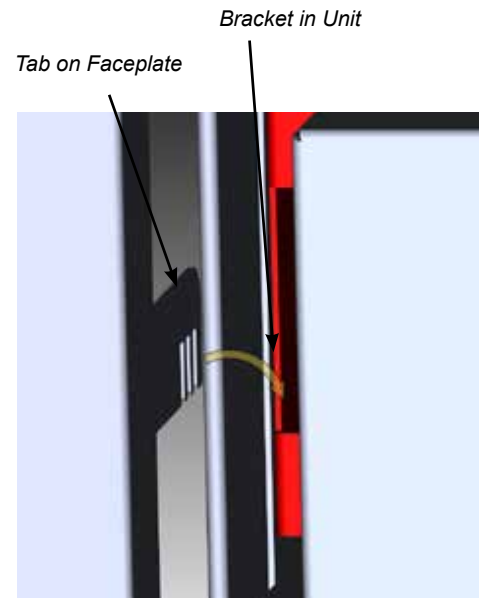
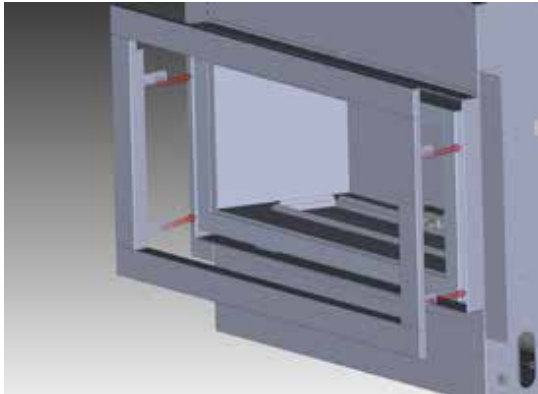


8. HZ42STE only - repeat Steps 1-7 to install screen and door frame on other side.

## OUTER DOOR FRAME INSTALLATION

- 1) Install the outer door frame to the unit by hooking the left and right side mounting brackets into the mounting slots at the side of the firebox as shown below. It is recommended that you use the first mounting slot (the one closest to the door frame overlay) out of the 3 so that the faceplate and door frame overlay are flush with one another.

**NOTE:** There are 3 mounting slots available, this is to accommodate any finishing that protrudes slightly beyond the faceplate.

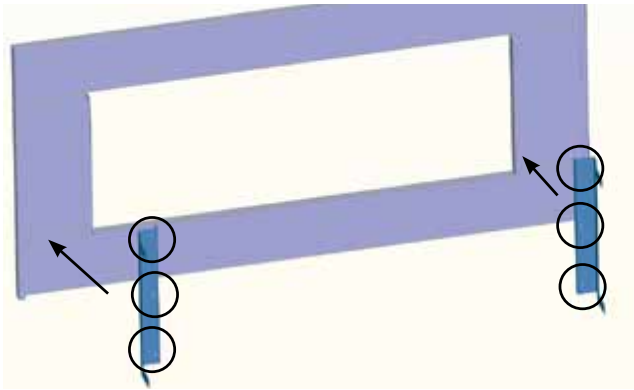


*Completed inner and outer door frame and installation*

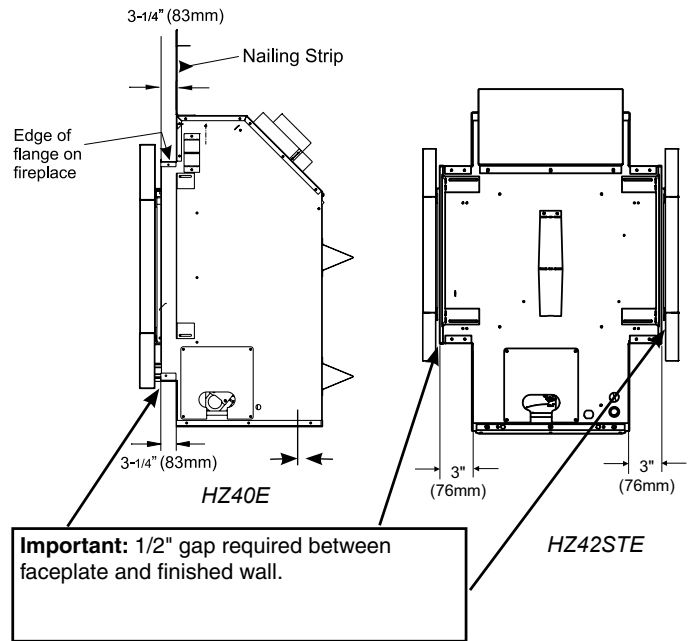
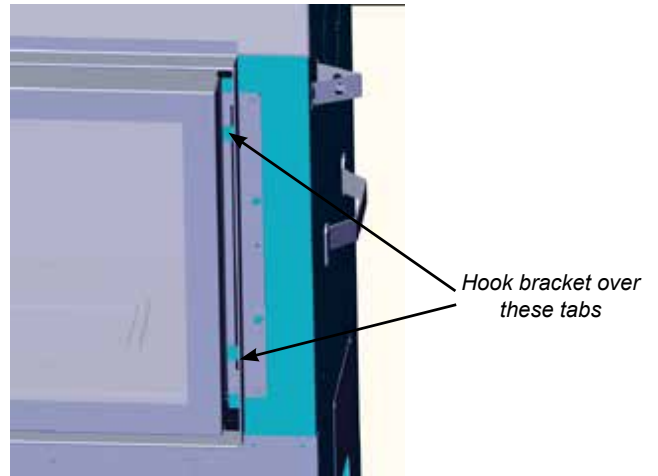
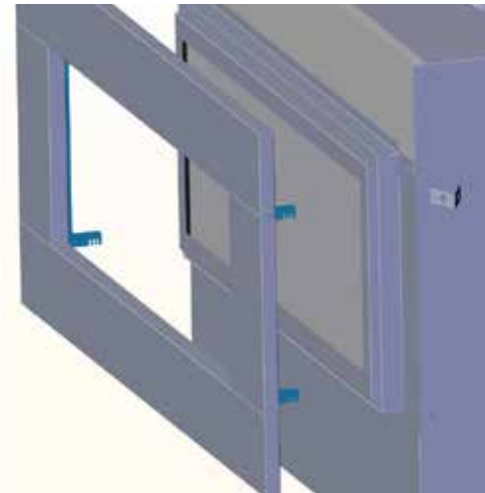
**Note:** Inner door frame may be installed by itself, or with the outer door frame. The outer door frame cannot be installed by itself - if installing the outer door frame - the inner door frame must also be installed.

**FACEPLATE INSTALLATION**

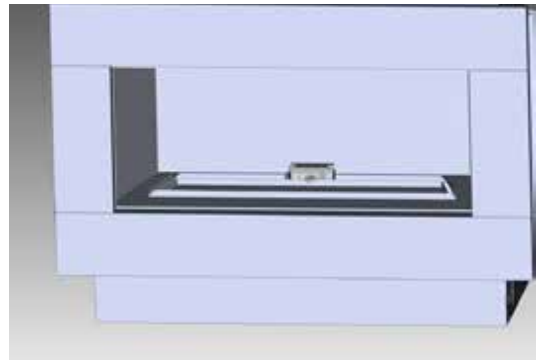
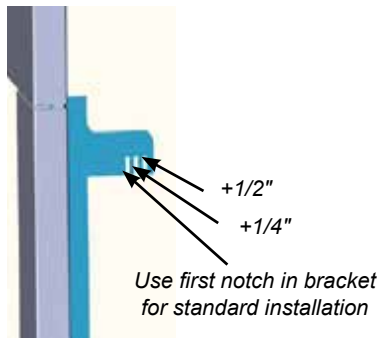
- 1) When installing required Safety Screen - See "Safety Screen" installation instructions.
- 2) Install brackets onto the back of the faceplate - 3 screws for each bracket in locations shown below.



- 3) To install the 4 piece faceplate - hook brackets (located on back of faceplate) over the two middle tabs on the glass door frame. If thicker finishing materials are used - the faceplate may be adjusted out - up to 1/2".



- 4) HZ42STE-10 ONLY - repeat Steps 1-3 to install faceplate on other side.



## OPERATING INSTRUCTIONS

- 1) Read and understand these instructions before operating this appliance.
- 2) Check to see that all wiring is correct and enclosed to prevent possible shock.
- 3) Check to ensure there are no gas leaks.
- 4) Make sure the glass in the glass door frame is properly positioned. Never operate the appliance with the glass removed.
- 5) Verify that the venting and cap are unobstructed.
- 6) The unit should never be turned off, and on again without a minimum of a 60 second wait.

---

## FIRST FIRE

The **FIRST FIRE** in your heater is part of the paint curing process. To ensure the paint is properly cured, it is recommended you burn your fireplace for at least four (4) hours the first time.

When first operated, the unit will release an odour caused by the curing of the paint and the burning off of any oils remaining from manufacturing. Smoke detectors in the house may go off at this time. Open a few windows to ventilate the room for a couple of hours. The glass may require cleaning.

**NOTE:** When the glass is cold and the appliance is lit, it may cause condensation and fog the glass. This condensation is normal and will disappear in a few minutes as the glass heats up.

**DO NOT ATTEMPT TO CLEAN THE GLASS WHILE IT IS STILL HOT!**

**DO NOT BURN THE UNIT WITHOUT THE GLASS DOOR IN PLACE.**

During the first few fires, a white film may develop on the glass front as part of the curing process. The glass should be cleaned after the unit has cooled down or the film will bake on and become very difficult to remove. Use a non-abrasive cleaner and **DO NOT ATTEMPT TO CLEAN THE GLASS WHILE IT IS HOT.**

## NORMAL OPERATING SOUNDS OF GAS APPLIANCES

It is possible that you will hear some sounds from your gas appliance. This is perfectly normal due to the fact that there are various gauges and types of steel used within your appliance. Listed below are some examples. All are **normal operating sounds** and should not be considered as defects in your appliance.

### **Burner Tray:**

The burner tray is positioned directly under the burner and is made of a different gauge material from the rest of the firebox and body. Therefore, the varying thicknesses of steel will expand and contract at slightly different rates which can cause "ticking" and "cracking" sounds. You should also be aware that as there are temperature changes within the unit these sounds will likely re-occur. Again, this is normal for steel fireboxes.

### **Pilot Flame:**

While the pilot flame is on it can make a very slight "whisper" sound.

### **Gas Control Valve:**

As the gas control valve turns ON and OFF, a dull clicking sound may be audible, this is normal operation of a gas regulator or valve.

### **Unit Body/Firebox:**

Different types and thicknesses of steel will expand and contract at different rates resulting in some "cracking" and "ticking" sounds will be heard throughout the cycling process.

**LIGHTING PROCEDURE**

**IMPORTANT:** The remote control system supplied with this appliance has several options for starting/operating the appliance using the power button and ON/OFF key on the hand held transmitter. Prior to operating this appliance, please read the remote control operating instructions (packaged with remote control) to understand how to operate this remote control system. Option to download remote functions video with QR code below.



*Proflame video*

1. Ensure the wall switch/receiver is in the remote position. (see Diagram 1).

*Set Switch to Remote*



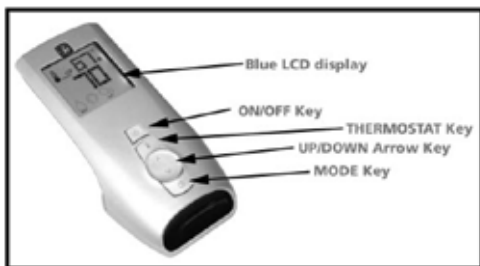
*Diagram 1*

2. Press and release the ON/OFF button on the remote handheld transmitter (see Diagram 2). An audible beep should be heard from the receiver.



*Diagram 2*

*Remote shown in Manual Mode on Hi*



3. After approximately 4 seconds the spark ignition system will spark for 60 seconds to light the main burner.
4. The unit will turn on.

**Note:** The first try for ignition will last approximately 60 seconds. If there is no flame ignition (rectification) the board will stop sparking for approximately 35 seconds. After wait time, the board will start second try for ignition by sparking for approximately 60 seconds. If there is still no positive ignition the board will go into lock out.

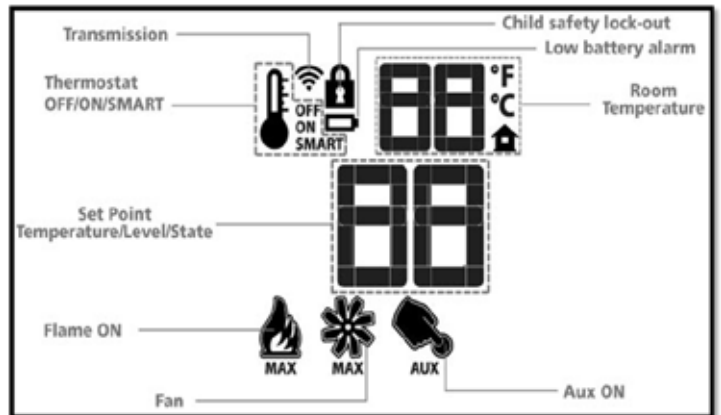
The system will need to be reset as follows:

- a) Turn the system off using ON/OFF switch or press ON/OFF button - if using remote.
- b) After approximately 2 seconds turn on ON/OFF switch or press ON/OFF button if using remote.
- c) Repeat step 2.

**SHUTDOWN**

**PROCEDURE**

1. Turn the wall mounted switch or remote to the "OFF" position.
2. Press "OFF" on the remote control.
3. Turn the gas control knob to the "OFF" position to turn off the pilot.



## COPY OF LIGHTING PLATE INSTRUCTIONS

**FOR YOUR SAFETY READ BEFORE LIGHTING**

This appliance must be installed in accordance with local codes, if any; if none, follow the National Fuel Gas Code, ANSI Z223.1/NFPA 54, or Natural Gas and Propane Installation Codes, CSA B149.1.

**WARNING:** If you do not follow these instructions exactly, a fire or explosion may result causing property damage, personal injury or loss of life. Improper installation, adjustment, alteration, service or maintenance can cause injury or property damage. Refer to the owner's information manual provided with this appliance. For assistance or additional information consult a qualified installer, service agency or gas supplier.

**AVERTISSEMENT:** Quiconque ne respecte pas à la lettre les instructions dans la présente notice risquera de déclencher un incendie ou une explosion entraînant des dommages, des blessures ou la mort.

**Une installation, d'ajustement, de modification, de service ou d'entretien peut provoquer des blessures ou des dommages matériels. Reportez-vous au manuel du propriétaire de l'information fournie avec cet appareil. Pour obtenir de l'aide ou des informations supplémentaires consulter un installateur qualifié, une agence de service ou fournisseur de gaz.**

- A) This appliance is equipped with an ignition device which automatically lights the pilot. Do not try to light the pilot by hand.
- B) **BEFORE OPERATING** smell all around the appliance area for gas. Be sure to smell next to the floor because some gas is heavier than air and will settle on the floor.
- WHAT TO DO IF YOU SMELL GAS**
- Do not try to light any appliance.
  - Do not touch any electric switch, do not use any phone in your building.
  - Immediately call your gas supplier from a neighbour's phone. Follow the gas supplier's instructions.
  - If you cannot reach your gas supplier, call the fire department.
- C) Do not use this appliance if any part has been under water. Immediately call a qualified service technician to inspect the appliance and replace any part of the control system and any gas control which has been underwater.
- A) Cet appareil est muni d'un dispositif d'allumage qui allume automatiquement la veilleuse. Ne tentez pas d'allumer la veilleuse manuellement.
- B) **AVANT DE FAIRE FONCTIONNER**, reniflez tout autour de l'appareil pour détecter une odeur de gaz. Reniflez près du plancher, car certains gaz sont plus lourds que l'air et peuvent s'accumuler au niveau du sol.
- QUE FAIRE SI VOUS SENTEZ UNE ODEUR DE GAZ :**
- Ne pas tenter d'allumer d'appareil
  - Ne touchez à aucun interrupteur; ne pas vous servir des téléphones se trouvant dans le bâtiment.
  - Appelez immédiatement votre fournisseur de gaz depuis un voisin. Suivez les instructions du fournisseur.
  - Si vous ne pouvez rejoindre le fournisseur, appelez le service des incendies
- C) N'utilisez pas cet appareil s'il a été plongé dans l'eau, même partiellement. Faites inspecter l'appareil par un technicien qualifié et remplacez toute partie du système de contrôle et toute commande qui ont été plongés dans l'eau.

**CAUTION:** Hot while in operation. Do not touch. Severe Burns may result. Due to high surface temperatures keep children, clothing and furniture, gasoline and other liquids having flammable vapors away. Keep burner and control compartment clean. See installation and operating instructions accompanying appliance.

**LIGHTING INSTRUCTIONS**

- 1) Ensure the wall switch/receiver is in the remote position.
  - 2) Press and release the ON/OFF button on the remote handheld transmitter. An audible beep should be heard from the receiver.
  - 3) After approximately 4 seconds the spark ignition system will spark for 60 seconds to light the main burner.
  - 4) The unit will turn on.
- Note:** The first attempt to ignition will last approximately 60 seconds. If there is no flame ignition (rectification) the board will stop sparking for approximately 35 seconds. After this wait time, the board will start a second try for ignition by sparking for approximately 60 seconds. If there is still no positive ignition after the second attempt the board will go into lock out.
- The system will need to be reset as follows (after going into lock out mode):
- a) Wait 5 minutes - turn the system off using ON/OFF switch or press ON/OFF button if using remote
  - b) After approximately 2 seconds turn on ON/OFF switch or press ON/OFF button if using remote.
  - c) Unit will repeat step 2.
- 1) S'assurer que l'interrupteur mural/récepteur soit en position télécommande.
  - 2) Appuyer sur la touche ON/OFF de la télécommande et relâcher. Un bip sonore se fera entendre depuis le récepteur
  - 3) Après environ 4 secondes, le système d'allumage des étincelles pendant 60 secondes pour allumer le brûleur principal.
  - 4) Les flammes s'allumeront.
- Remarque :** Au premier allumage, le système tente d'allumer les flammes pendant 60 secondes. Si l'essai est infructueux, le système fait une pause de 35 secondes. C'est ce qu'on appelle l'étape de rectification. Ce délai écoulé, le système tente à nouveau d'allumer les flammes en produisant des étincelles pendant 60 secondes. Si les flammes ne s'allument toujours pas, le système se met en mode verrouillage.
- Il faut alors le réinitialiser en suivant les étapes ci-dessous (pour le déverrouiller) :
- a) Attendre 5 minutes et éteindre l'appareil en réglant l'interrupteur à la position « OFF »;
  - b) Attendre 2 secondes et rallumer le système à l'aide de l'interrupteur ou de la télécommande.
  - c) L'unité répétera l'étape 2.

**TO TURN OFF GAS APPLIANCE**

- 1) Turn the wall mounted switch or remote to the "OFF" position.
- 2) If service is to be performed—you must disconnect power and shut off gas to the unit.
- 1) Utilisez l'interrupteur murale ON/OFF du Brûleur ou du contrôle à distance pour éteindre le brûleur.
- 2) Si le service est effectuée—vous devez débrancher l'alimentation et coupez le gaz à l'unité.

**DO NOT REMOVE THIS INSTRUCTION PLATE**

919-401a



## MAINTENANCE INSTRUCTIONS

- 1) Always turn off the gas and electrical before cleaning. For relighting, refer to lighting instructions. Keep the burner and control compartment clean by brushing and vacuuming at least once a year.
- 2) Clean appliance and door with a damp cloth (never when unit is hot). Never use an abrasive cleaner. The glass should be cleaned with a gas fireplace glass cleaner. **The glass should be cleaned when it starts looking cloudy.**
- 3) The faceplate is finished in a heat resistant paint and should only be refinished with heat resistant paint. Regency® uses StoveBright Paint - Metallic Black #6309.

**Note: Faceplates and inner panels made from stainless steel will naturally change color over time.**

- 4) Make a periodic check of burner for proper position and condition. Visually check the flame of the burner periodically, making sure the flames are steady; not lifting or floating. If there is a problem, call a qualified service person.
- 5) The appliance and venting system must be inspected before use, and at least annually, by a qualified field service person, to ensure that the flow of combustion and ventilation air is not obstructed.

**Note: Never operate the appliance without the glass properly secured in place.**

- 6) Do not use this appliance if any part has been under water. Immediately call a qualified service technician to inspect the appliance and to replace any part of the control system and any gas control which has been under water.
- 7) In the event this appliance has been serviced check that the vent-air system has been properly resealed & reinstalled in accordance with the manufacturer's instructions.
- 8) Verify operation after servicing.

## GENERAL VENT MAINTENANCE

Conduct an inspection of the venting system semi-annually. Recommended areas to inspect as follows:

- 1) Check the Venting System for corrosion in areas that are exposed to the elements. These will appear as rust spots or streaks, and in extreme cases, holes. These components should be replaced immediately.
- 2) Remove the Cap, and shine a flashlight down the Vent. Remove any bird nests, or other foreign material.
- 3) Check for evidences of excessive condensation, such as water droplets forming in the inner liner, and subsequently dripping out the joints. Continuous condensation can cause corrosion of caps, pipe, and fittings. It may be caused by having excessive lateral runs, too many elbows, and exterior portions of the system being exposed to cold weather.
- 4) Inspect joints, to verify that no pipe sections or fittings have been disturbed, and consequently loosened. Also check mechanical supports such as Wall Straps, or plumbers' tape for rigidity.

## GLASS GASKET

If the glass gasket requires replacement use a tadpole glass gasket (Part # 936-159).

## GLASS DOOR

Your Regency® fireplace is supplied with high temperature 5mm-Ceramic glass. If your glass requires cleaning, we recommend using an approved glass cleaner available at all authorized dealers. Do not use abrasive materials.

### CAUTION & WARNINGS:

- \* Do not clean when the glass is hot.
- \* The use of substitute glass will void all product warranties.
- \* Care must be taken to avoid breakage of the glass.
- \* Do not strike or abuse the glass.
- \* Do not operate this fireplace without the glass front or with a cracked or broken glass front.
- \* Wear gloves when removing damaged or broken glass.
- \* Replacement of the glass panel(s) should be done by a licensed or qualified service person.

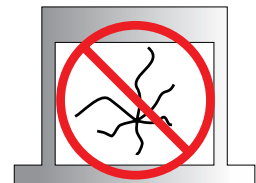
### GLASS REPLACEMENT

In the event that you break your glass by impact, purchase your replacement from an authorized Regency® dealer only.

Replacement neo ceramic glass is shipped with gasket installed.

**CAUTION: Wear gloves when removing damaged or broken glass.**

**WARNING: Do not operate the appliance with the glass panels removed, cracked or broken. Replacement of the glass panels should be done by a licensed or qualified service person.**

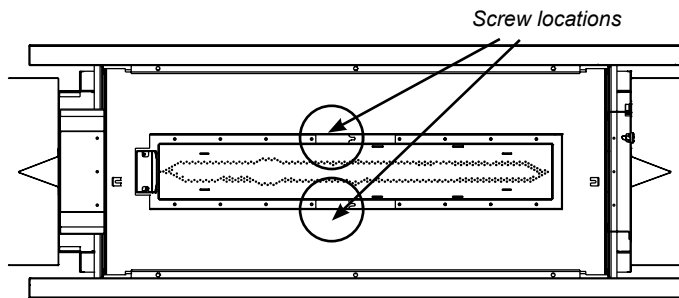


## VALVE TRAY REPLACEMENT

- 1) Turn the unit off and allow it to cool down to room temperature.
- 2) Turn off the gas and electrical supply to the unit.
- 3) Remove the faceplate, safety screen and glass door—see details in this manual.
- 4) Remove bottom cover by lifting up and out.



- 5) Remove burner by removing 2 screws.



*Aerial View of the burner shown.*

- 6) Slide burner away from the pilot and lift out.



- 7) Remove 7 screws to remove left access panel .



- 8) Disconnect the ON/OFF connector wires from the valve.



*ON/OFF Connector Wires*

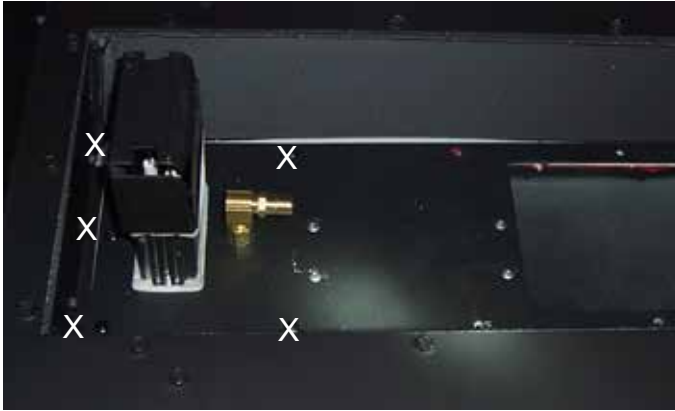
- 9) Remove 7 screws to remove right side access panel. Disconnect the gas line.





## 54 | maintenance

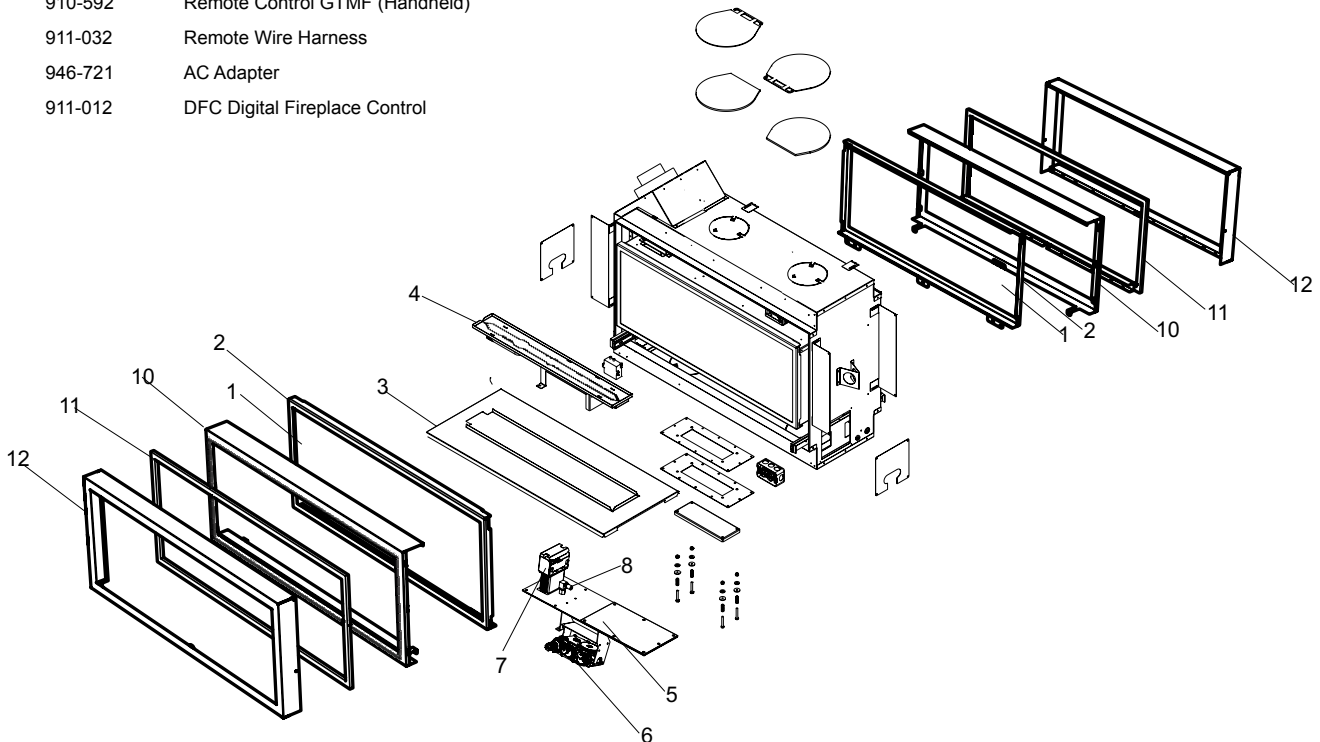
- 10) Remove the valve assembly by removing the remaining 5 screws on the left side.



- 11) Disconnect the inlet gas line and remove the valve assembly.
- 12) Replace the valve assembly and reverse steps 2-11.

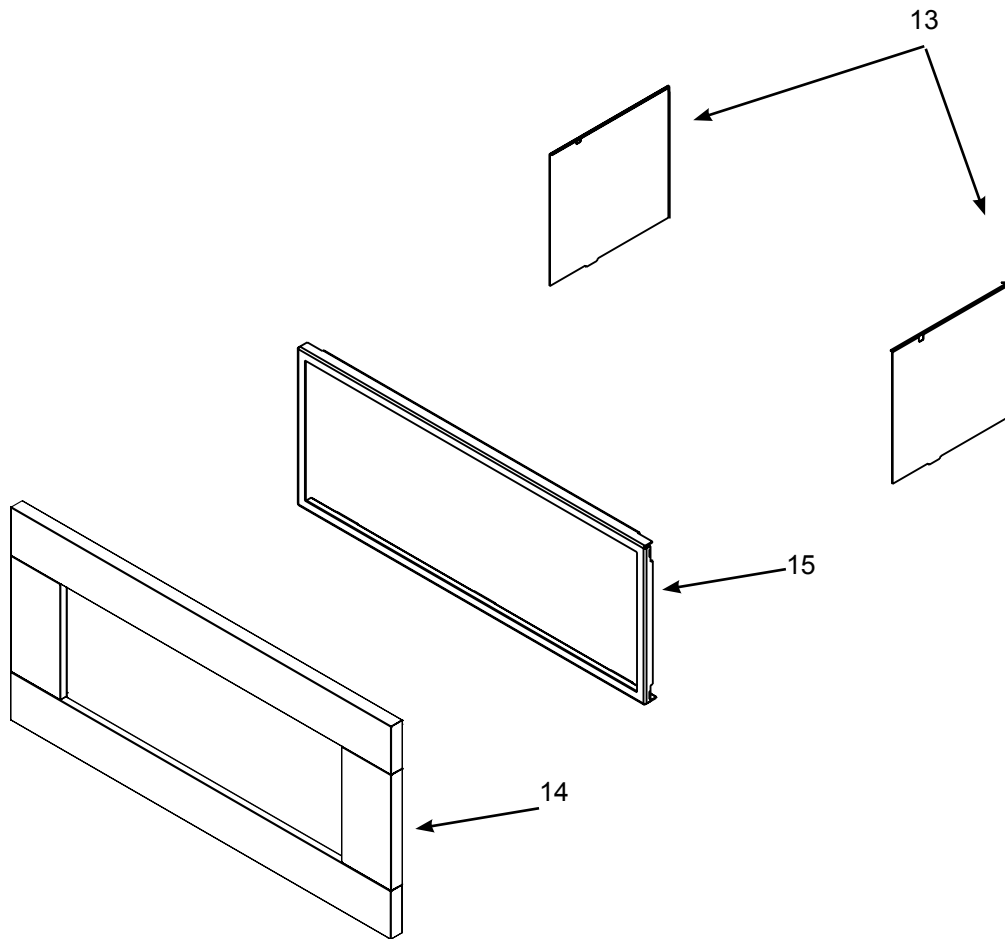
**MAIN ASSEMBLY**

1	Part #	Description	Part #	Description	
2	940-361/P	Flush Glass	10	258-001	Inner Door Trim
	228-023	Flush Glass Frame	11	258-012	Safety Screen
3	586-070	Bottom Cover NG / LP	12	258-964	Inner Door Frame (Black)
4	586-525	Burner Assembly -NG	12	258-967	Inner Door Frame (Stainless)
	586-530	Burner Assembly-LP	910-100		Pilot Orifice - NG
6	588-574 E/P	Valve Assembly -NG	904-658		Inlet Gas Flex Line SS
	588-576 E/P	Valve Assembly-LP	910-592		Remote Control GTMF (Handheld)
	910-084	Valve only - NG 885	430-011		Flue Collar Gasket
	911-085	Valve Only - LP 885	586-047F		Relief plate door
	911-010	Stepper Motor - NG 885	586-048		Plate Relief Gasket
	911-011	Stepper Motor - LP 88	586-089		Valve Tray Gasket
7	911-006	Pilot Assy - 885 - S.I.T. - NG	430-011		Inner Flue Collar Gasket
	911-007	Pilot Assy - 885 - S.I.T. - LP	586-017F		Flue Restrictor Plate
	911-037	Flame Sensor	586-016F		Gas line cover
	911-038	Flame Electrode	596-045		Side nailing strip
	911-039	2 way pilot hood	919-494		Manual
	910-432	Pilot tube			
	911-013	Wire Harness Incl. IP/CP switch			
8	904-593	Orifice # 40 (NG)			
	904-345	Orifice # 53 (LP)			
	910-100	Pilot Orifice - NG			
	910-101	Pilot Orifice - LP			
	911-137	Pilot Hood Clip			
	910-572	Remote receiver			
	911-127	Remote Receiver Battery Compartment			
	910-592	Remote Control GTMF (Handheld)			
	911-032	Remote Wire Harness			
	946-721	AC Adapter			
	911-012	DFC Digital Fireplace Control			



**ACCESSORIES**

Part #	Description	Part #	Description
13.	586-908 Black Enamel Inner Panels		5 pound bag of glass crystals
14.	258-954 Faceplate Black	946-775	Black Reflective Crystals
	258-957 Faceplate Brushed Stainless	946-776	Copper Crystals
	256-934 Outer Door Frame Black	946-777	Starfire Crystals
	256-947 Outer Door Frame Stainless		5 pounds bag of Fire Beads
15	258-964 Inner Door Frame Black	946-739	Black
	258-967 Inner Door Frame Stainless	946-740	Sangria Luster
	256-951 Verona Glass Surround Pure Black	946-741	Glacier Ice
	256-955 Verona Glass Surround Chocolate Brown	946-742	Caramel Luster
		946-672	Natural River Pebbles
		946-674	Ceramic Spa Stones
		946-710	Volcanic Stones Slate/Grey
		946-711	Volcanic Stones Ivory/Tan
		258-900	Steel Stud Framing Kit









Regency® Fireplace Products are designed with reliability and simplicity in mind. In addition, our internal Quality Assurance Team carefully inspects each unit thoroughly before it leaves our facility. FPI Fireplace Products International Ltd. is pleased to extend this limited lifetime warranty to the original purchaser of a Regency® Product. This warranty is not transferable.

**The Warranty: Limited Lifetime**

The combustion chamber, heat exchanger, burner tubes/pans, logs, glass crystals, ceramic spa stones, pebbles, brick panels and gold plating (against defective manufacture only) are covered under the Limited Lifetime Warranty for five (5) years for parts and subsidized labour\* and parts only thereafter.

Glass is covered for lifetime against thermal breakage only, parts and subsidized labour\* for five (5) years and parts only thereafter from date of purchase.

External casting, surrounds and grills are covered against cracks and warps resulting from manufacturer defects, parts and subsidized labour\* for three (3) years from the date of purchase and parts only thereafter.

Special Finishes - One year on stainless steel panels, nickel overlays, nickel faceplates, brushed nickel and antique copper full screens and doors. You can expect some changes in color as the product "ages" with constant heating and cooling. Regency warranties the product for any manufacturing defects on the original product. However, the manufacturers warranty does not cover changing colors and marks, ie. finger prints, etc applied after the purchase of the product. Damage from the use of abrasive cleaners is not covered by warranty.

Electrical and mechanical components such as blowers, switches, wiring, thermocouples, Regency® remote controls, spill switches, thermopiles, thermocouples, pilot assembly components, and gas valves are covered for two years parts and one year subsidized labour\* from the date of purchase. Blowers and valves replaced under warranty are considered repairs and continue as if new with appliance. ie. twelve (12) months from original purchase date of appliance with a minimum of three (3) months coverage from date of replacement.

Regency venting components are covered parts and subsidized labour\* for three (3) years from date of purchase.

Simpson Dura-Vent venting components (Direct Vent units) are covered by Simpson Dura-Vent Inc. warranty.

Repair/replacement parts purchased by the consumer from Regency® after the original coverage has expired on the unit will carry a 90 day warranty, valid with a receipt only. Any item shown to be defective will be repaired or replaced at our discretion. No labour coverage is included with these parts.

**Conditions:**

Any part or parts of this unit which in our judgement show evidence of such defects will be repaired or replaced at Regency's option, through an accredited distributor or agent provided that the defective part be returned to the distributor or agent Transportation Prepaid, if requested.

Porcelain/Enamel - Absolute perfection is either guaranteed nor commercially possible. Any chips must be reported and inspected by an authorized dealer within three days of installation. Reported damage after this time will be subject to rejection.

It is the general practice of Regency to charge for larger, higher priced replacement parts and issue credit once the replaced component has been returned to Regency® and evaluated for manufacturer defect.

The authorized selling dealer is responsible for all in-field service work carried out on your Regency® product. Regency® will not be liable for results or costs of workmanship from unauthorized service persons or dealers.

At all times Regency® reserves the right to inspect product in the field which is claimed to be defective.

All claims must be submitted to Regency® by authorized selling dealers. It is essential that all submitted claims provide all of the necessary information including customer name, purchase date, serial #, type of unit, problem, and part or parts requested, without this information the warranty will be invalid.

**Exclusions:**

This limited Lifetime Warranty does not extend to or include paint, door or glass gasketing or trim.

At no time will Regency® be liable for any consequential damages which exceed the purchase price of the unit. Regency® has no obligation to enhance or modify any unit once manufactured. ie. as products evolve, field modifications or upgrades will not be performed.

Regency® will not be liable for travel costs for service work.

Installation and environmental problems are not the responsibility of the manufacturer and therefore are not covered under the terms of this warranty policy.

Embers, rockwool, gaskets, door handles and paint are not covered under the terms of this warranty policy.

Any unit which shows signs of neglect or misuse is not covered under the terms of this warranty policy.

The warranty will not extend to any part which has been tampered with or altered in any way, or in our judgment has been subject to misuse, improper installation, negligence or accident, spillage or downdrafts caused by environmental or geographical conditions, inadequate ventilation, excessive offsets, negative air pressure caused by mechanical systems such as furnaces, fans, clothes dryer, etc.

Freight damage to stoves and replacement parts is not covered by warranty and is subject to a claim against the freight carrier by the dealer.

Regency® will not be liable for acts of God, or acts of terrorism, which cause malfunction of the appliance.

Performance problems due to operator error will not be covered by this warranty policy.

Products made or provided by other manufacturers and used in conjunction with the operation of this appliance without prior authorization from Regency®, may nullify your warranty on this product.

Any alteration to the unit which causes sooting or carboning that results in damage to the interior / exterior facia is not the responsibility of Regency®.

\* Subsidy according to job scale as predetermined by FPI.

# Register your Regency® warranty online [www.regency-fire.com](http://www.regency-fire.com)

## Reasons to register your product online today!

- View and modify a list of all your registered products.
- Request automatic email notification of new product updates.
- Stay informed about the current promotions, events, and special offers on related products.

***Installer: Please complete the following information***

**Dealer Name & Address:** \_\_\_\_\_  
\_\_\_\_\_

**Installer:** \_\_\_\_\_

**Phone #:** \_\_\_\_\_

**Date Installed:** \_\_\_\_\_

**Serial No.:** \_\_\_\_\_



*Horizon HZ42ST Product Video*